

*Made in Holland*

**PITT**  
COOKING

# **Installation and handling instructions**

## **PITT® cooking in kitchen worktops**

---

These documents contain instructions to securely and successfully install PITT® cooking into kitchen worktops. Furthermore, they indicate which level of craftsmanship is required. To make a warranty claim, installation procedures should be applied as described. PITT® cooking is exclusively intended for consumer use.

## *Content*

---

1. Worktop Materials suitable for PITT® cooking	3
2. Manufacturing recesses (cut-outs)	4
3. Installation kitchen worktop	6
4. Installation PITT® cooking in the kitchen worktop	7

## 1. *Worktop material suitable for PITT® cooking*

---

**1a.** PITT® cooking can safely be built into:

- Compact board (eg. Trespa)
- Quartz Composite (eg. Caesarstone, Silestone)
- Concrete
- Glass
- Terrazzo
- Natural stone (eg. granite, marble)
- Stainless steel
- Ceramics (eg. Neolith)



PITT® cooking should never be installed into solid wood and worktops with an HPL top layer.

**1b.** The minimum thickness of the core material is  $\frac{5}{32}$ " (4 mm).  
For Quartz composite, compact board and natural stone applies a minimum thickness of the core material (solid) of  $\frac{25}{64}$ " (10 mm).  
For Top Side for all materials, a maximum thickness of  $1\frac{3}{8}$ " (35 mm) applies.

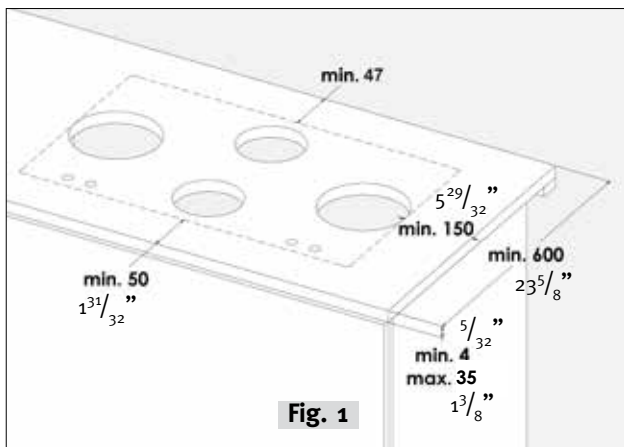


The bottom of the core material needs to be completely flat, in order to bring the heat conductor in full contact with the worktop.

## 2. Manufacturing recesses (cut-outs)

---

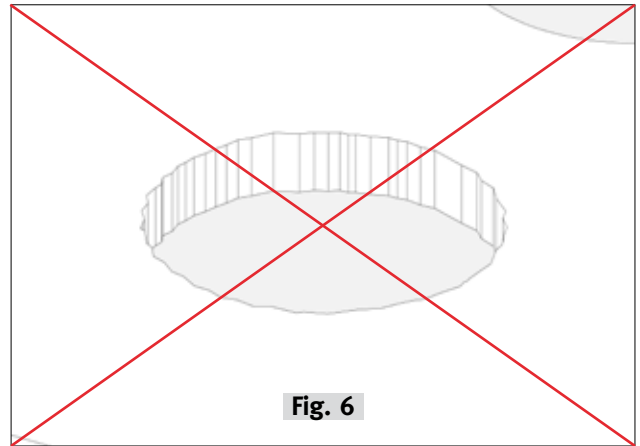
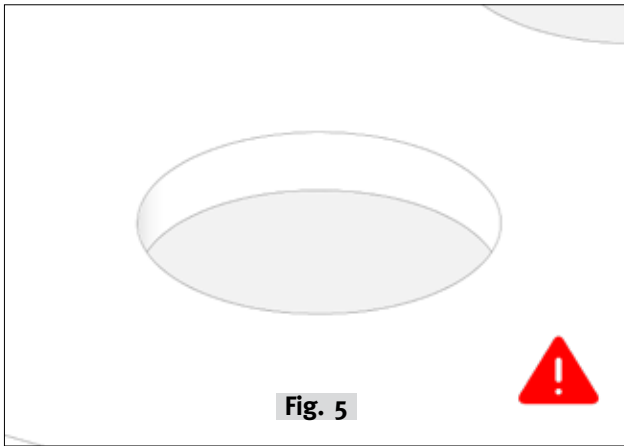
-  The guidelines of the kitchen manufacturer and/or the manufacturer of the kitchen worktop should always be strictly followed.



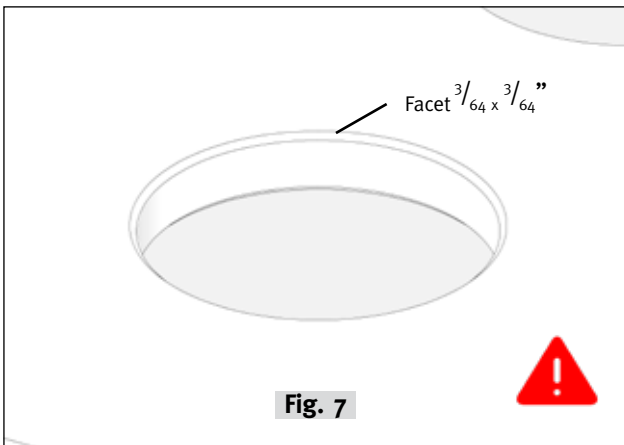
- 2a.** The C-size for Top Side models should be at least  $1\frac{31}{32}$ " (50 mm) **(fig.1)**.

The distance between the cut out and the sides (left or right) of the worktop should be at least  $5\frac{29}{32}$ " (150 mm).

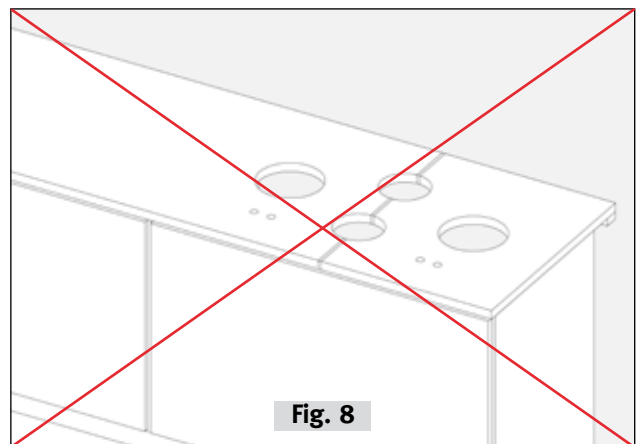
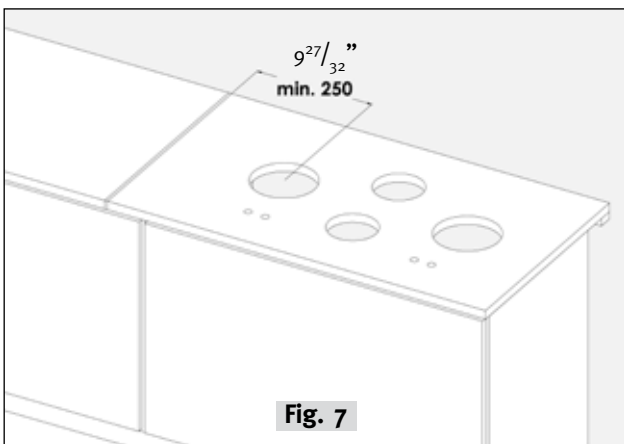
## 2. Manufacturing recesses (cut-outs)



- 2c. The insides of the recess(es) should be smooth and even (**fig. 5**). Irregularities can cause cracking (**fig. 6**).



- 2d. On the top and bottom of the recess(es) should be a facet of at least  $\frac{3}{64} \times \frac{3}{64}$ ” (1x1 mm) be applied (**fig. 7**).



- 2e. Adhesive connections and/or interconnections should **never** intersect the recess(es). These should have a distance of at least  $9 \frac{27}{32}$ ” (250 mm) to the recess(es) (**fig. 7 and 8**).

### 3. Installation worktop



The guidelines of the kitchen manufacturer and/or the manufacturer of the kitchen worktop should always be strictly followed.

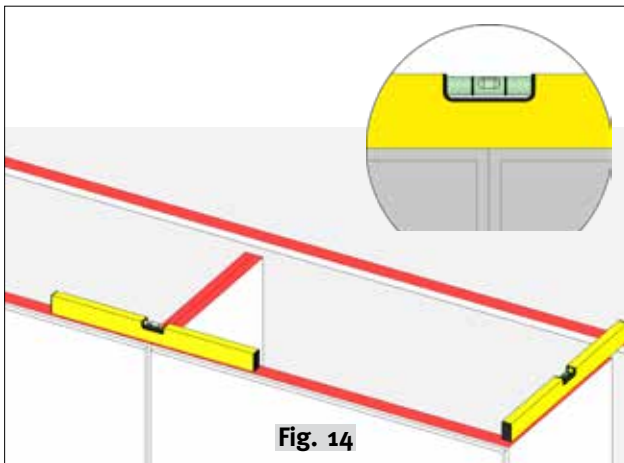


Fig. 14

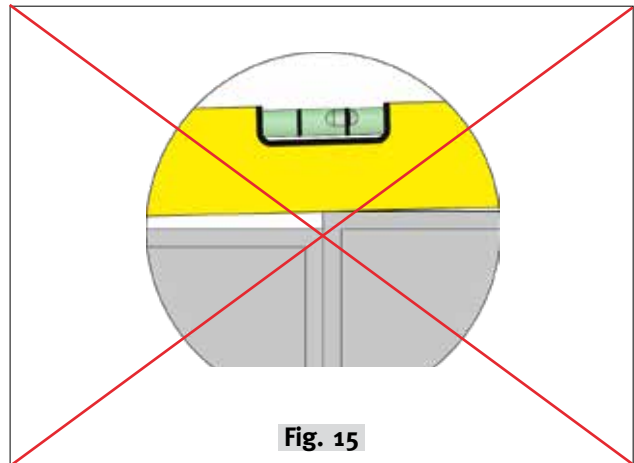


Fig. 15

- 3a. The cabinets should be placed perfectly levelled (**fig. 14 and 15**).
- 3b. In the case of bottom cabinets with a closed top, these should be the same size (+10 mm) as the PITT® cooking module. This is to bring the heat conductor in full contact with the core material.

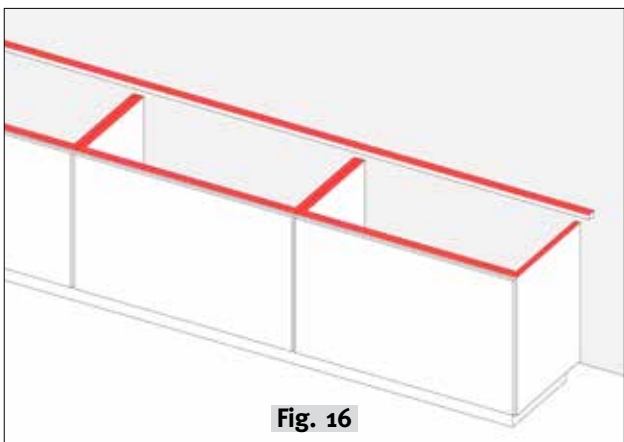


Fig. 16

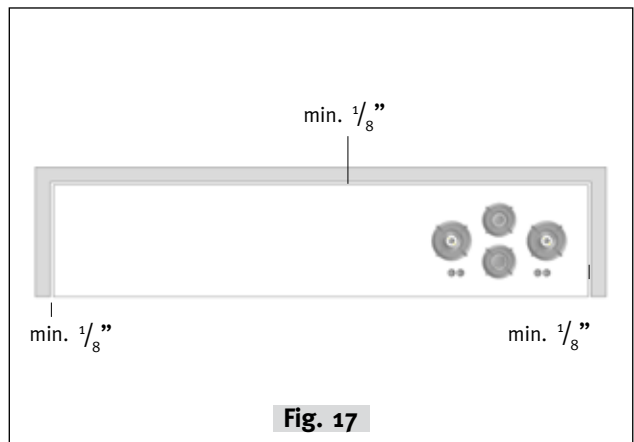


Fig. 17

- 3c. The worktop should have full support on the left, right, front and back side of the PITT cooking unit (**fig. 16**). This prevents tension in the worktop from the weight of the cooking unit. We advise to support the worktop with a ladder frame.
- 3d. The distance between the kitchen worktop and the wall and/or cabinets should be at least  $\frac{1}{8}$ " (3 mm) (**fig. 17**). This allows the material to expand.

## 4. Installation PITT® cooking into worktop



Strictly follow the PITT® cooking installation instructions. The installation manual can be downloaded via [www.pittcooking.com/downloads](http://www.pittcooking.com/downloads).

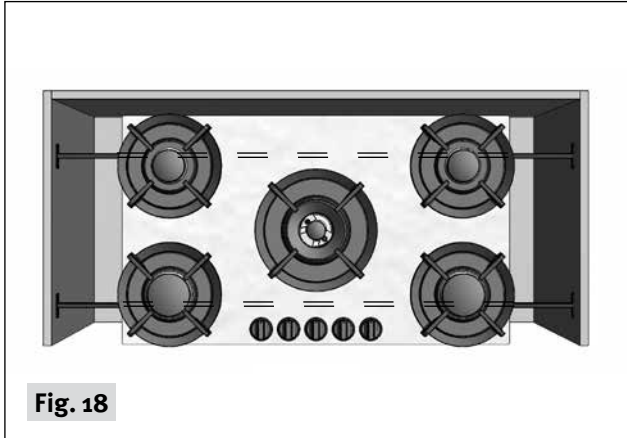


Fig. 18

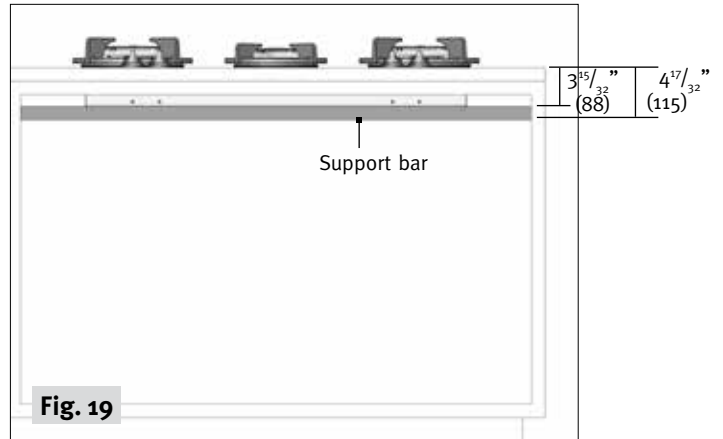


Fig. 19

- 4a. The PITT® cooking module should always be fully supported with the PITT® cooking support set to prevent bending of the kitchen worktop (**fig. 18 and 19**).

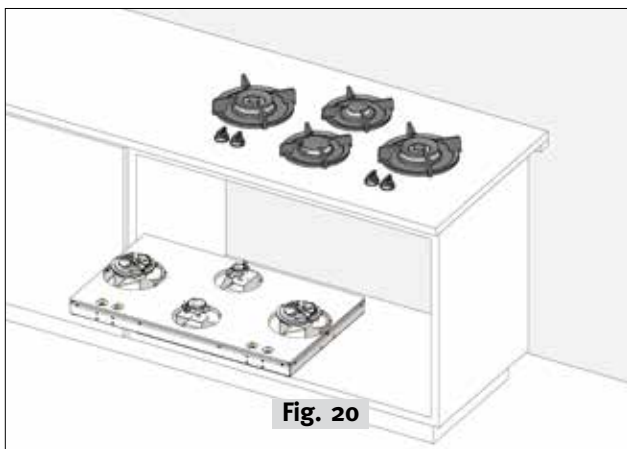


Fig. 20

- 4b. In case of service, the PITT® cooking module should **ALWAYS** be able to be disassembled without disassembling the cabinets and/or kitchen worktop (**fig. 20**).

In case of questions, please feel free to contact us via  
info@pittcooking.com or by phone via +31(0)88 088 7070.

**[www.pittcooking.com](http://www.pittcooking.com)**