

SOPS76TM-1EL

30" Built-In Multifunction Oven



AVAILABLE FINISHES / COLOR OPTIONS

SOPS76TM-1EL
Stainless Steel Trim and Black Glass

KEY FEATURES

Size to Suit

Gives you an extra-large capacity for holding your largest turkeys and roasts. It also lets you prepare multiple dishes at the same time.

Glass-Touch Display

Gives an intuitive glass touchscreen experience that's easy to wipe clean.

Digital Clock and Kitchen Timer

A digital clock shows the time and displays the timer when cooker, allowing you to monitor how long your food has been cooked.

Temperature Probe

Allows accurate measurement of internal temperatures of meats, poultry, and casseroles without having to open the oven so that food can be cooked perfectly.

Self-Cleaning Cycle

Uses high temperatures to power through soils in the oven cavity, requiring only a quick wipe-down at the end of the cycle.



Touch Controls



Digital Display



Soft Close Door

GENERAL PROPERTIES

Fuel type: Electric

Construction: Built-in

Color: Stainless steel trim and black glass

CAPACITY

135L (4.8 cu.ft.) Capacity

CONTROLS

Electric touch controls

FEATURES

Self-Clean

Temperature Probe

Broil Element

Hidden Bake Element

Delay Start

Bright interior lighting

Kitchen Timer

Warming mode

Child safety lock

OVEN CAVITY

Oven color: Gray porcelain with white dots

Top Heater Power: 3500W

Lower Heater Power: 3000W

Oven light qty: 1, rear

2 chrome plated racks including a Gliding Rack

6 Rack positions

Bake: 150°F-550°F

Convection Bake: 150°F-550°F

Convection Roast: 150°F-550°F

Broil: Low-High

TECHNICAL DETAILS

Product Dimensions In/mm (W/H/D)

30" / 29^{5/16}" / 25"

762mm / 744mm / 635mm

Cut Out Dimensions In/mm (W/H/D)

min. 28^{7/16}" - max. 28^{5/8}" / 29^{7/16}" / min. 23^{7/16}" - max. 23^{5/8}"

min. 723mm - max. 727mm / 748mm / min. 596mm - max. 600mm

TECHNICAL INFORMATION

Voltage: 208-240V

Frequency: 60HZ

SOPS76TM-1EL



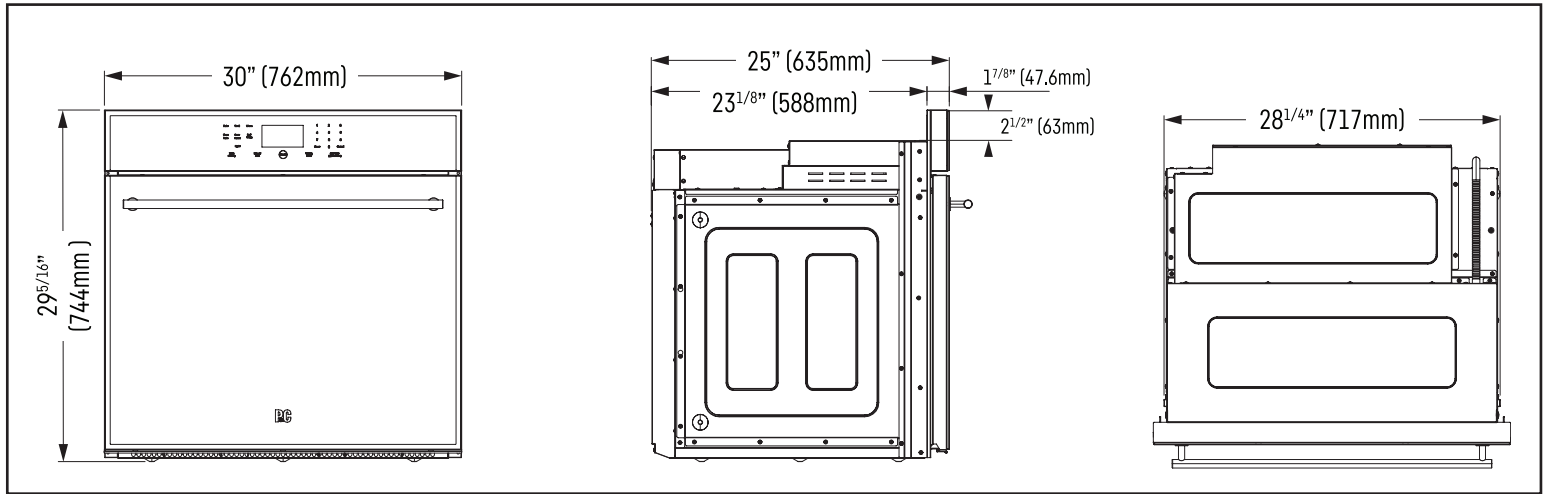
Installation Details

PRODUCT DIMENSIONS (W/H/D - INCH/MM)

30" / 29⁵/₁₆" / 25"
762mm / 744mm / 635mm

CUT-OUT DIMENSIONS (W/H/D - INCH/MM)

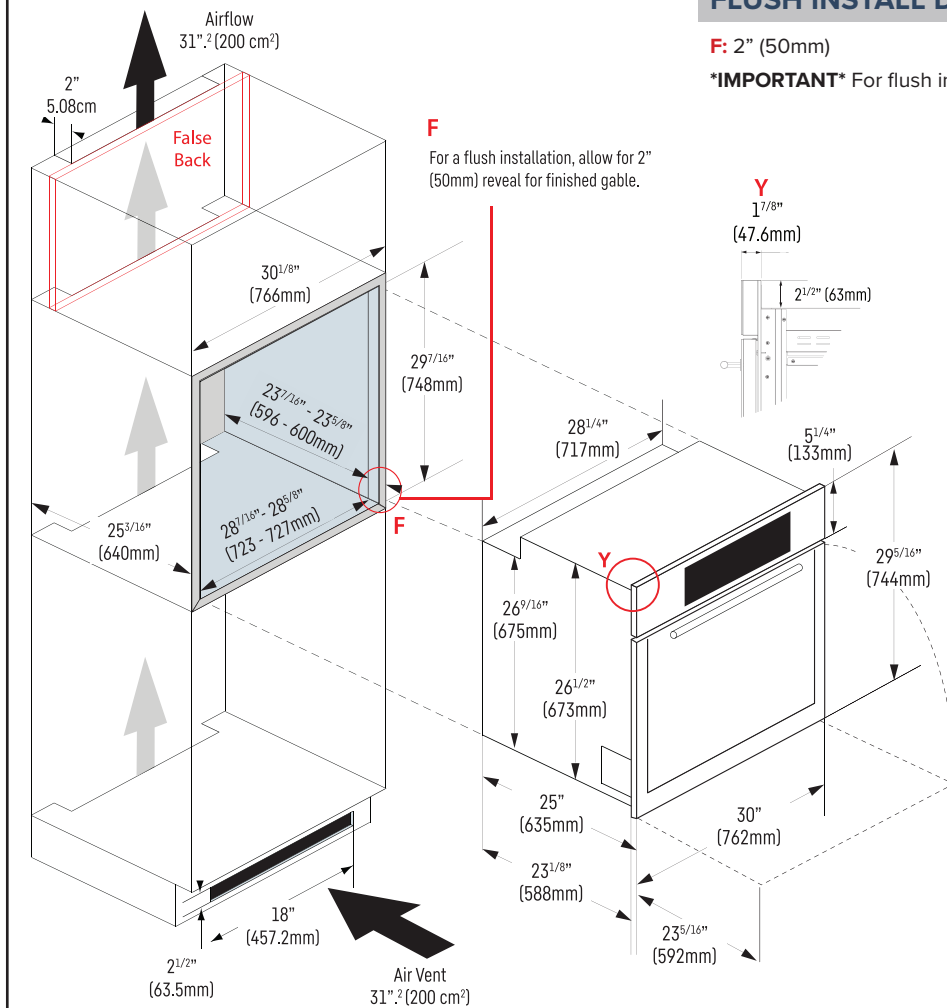
min. 28⁷/₁₆" - max. 28⁵/₈" / 29⁷/₁₆" / min. 23⁷/₁₆" - max. 23⁵/₈"
min. 723mm - max. 727mm / 748mm / min. 596mm - max. 600mm



FLUSH INSTALL DIMENSIONS

F: 2" (50mm)

IMPORTANT For flush installation allow for 2" (50mm) reveal for finishes gable.

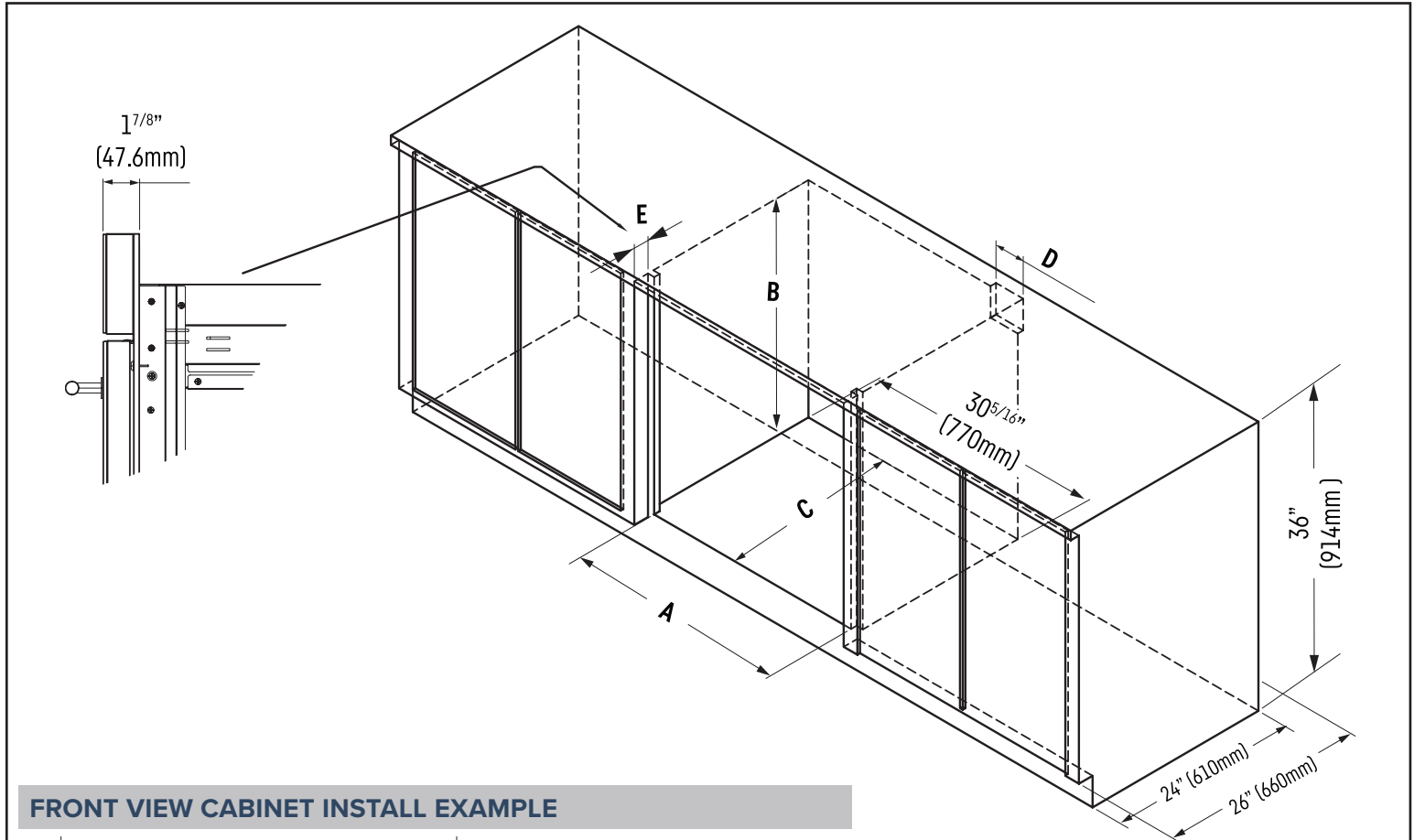


FLUSH INSTALL EXAMPLE

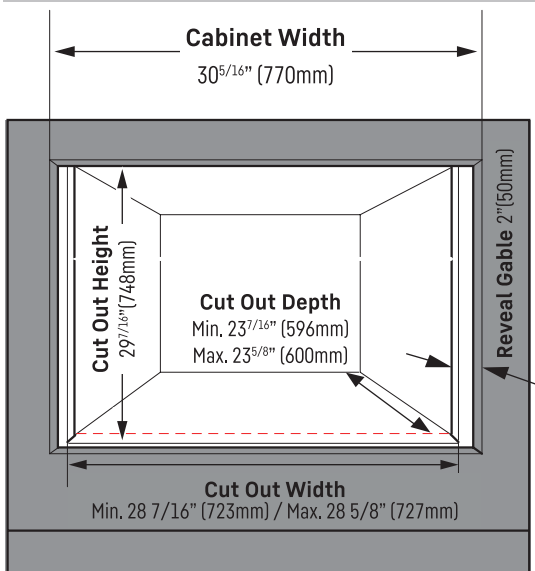


Under-counter Cabinet Installation

DIMENSIONS	DESCRIPTION	30" SINGLE	DIMENSIONS	DESCRIPTION	30" SINGLE
A	Cut-Out Width	Min. 28 7/16" (723mm) Max. 28 5/8" (727mm)	D	Power Cord Via Hole	4" (101mm)
B	Cut-Out Height	29 7/16" (748mm)	E	Panel to mounting screw dimensions	2" (50mm)
C	Cut-Out Depth	Min. 23 7/16" (596mm) Max. 23 5/8" (600mm)			



FRONT VIEW CABINET INSTALL EXAMPLE





WARRANTY INFORMATION

Porter & Charles Appliances are designed and manufactured to the highest standards. Each appliance is covered by a comprehensive 2-year parts and labour warranty. Refer to product warranty policy for complete terms and conditions.

FOR PARTS & SERVICE

Euro-Parts & Service
39822 Belgrave Road, Belgrave, ON. N0G 1E0 1 866 722 2262
www.euro-parts.ca • parts@euro-parts.ca • service@euro-parts.ca

Porter & Charles appliances are imported and distributed in North America by Euro-Line Appliances Inc. For more information, please visit one of our showrooms or www.ela.ca / www.elawest.ca

EURO-LINE APPLIANCES INC.

871 Cranberry Court, Oakville, ON
L6L 6J7 Canada
905.829.3980
1-800.421.6332
info@ela.ca

EURO-LINE APPLIANCES INC.

101-1014 Homer Street, Vancouver, BC
V6B 2W9, Canada
604.235.3980
1-855.ELA.WEST (352.9378)
infowest@ela.ca