

PERFEKT-INSERT-30

30" Fully-Integrated Insert Range Hood

AEG



KEY FEATURES



Anti-Fingerprint
Stainless Steel



Push Button
Controls



LED
Lighting

RANGE HOOD FUNCTIONS



3 Speed Fan Adjustment

HIGHLIGHTS



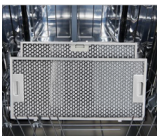
Electronic Push Buttons

Smooth and precise control of your hoods functions with the push of a button - easy to use and easy to clean.



LED Lighting

These energy efficient LED lights give you excellent visibility on the cooking process.



Dishwasher Safe Filters

The long life honeycomb filters can be washed safely in the dishwasher, making cleaning your filters simple.

Available Finishes/Colors

PERFEKT INSERT-30

Stainless-Steel / Powder Coated Grey

Additional Features

3 Speed adjustment

Electronic push buttons

LED lighting

Quiet 300CFM motor

2 x dishwasher safe filter

Option to convert to ductless

7" Duct size

6" Duct adaptor included

PRODUCT DIMENSIONS

Width: 30" (762mm)

Depth: 11^{7/16}" (290mm)

CUT-OUT DIMENSIONS

Width: 28^{3/4}" (730mm)

Depth: 10^{11/16}" (272mm)

TECHNICAL DETAILS

Volts (V): 115 V

Frequency (Hz): 60 Hz

Amperage (Amp): 15 Amp

*Supplied with a Canadian plug and 1m long cord.



Installation Details

PRODUCT DIMENSIONS (INCH/MM)

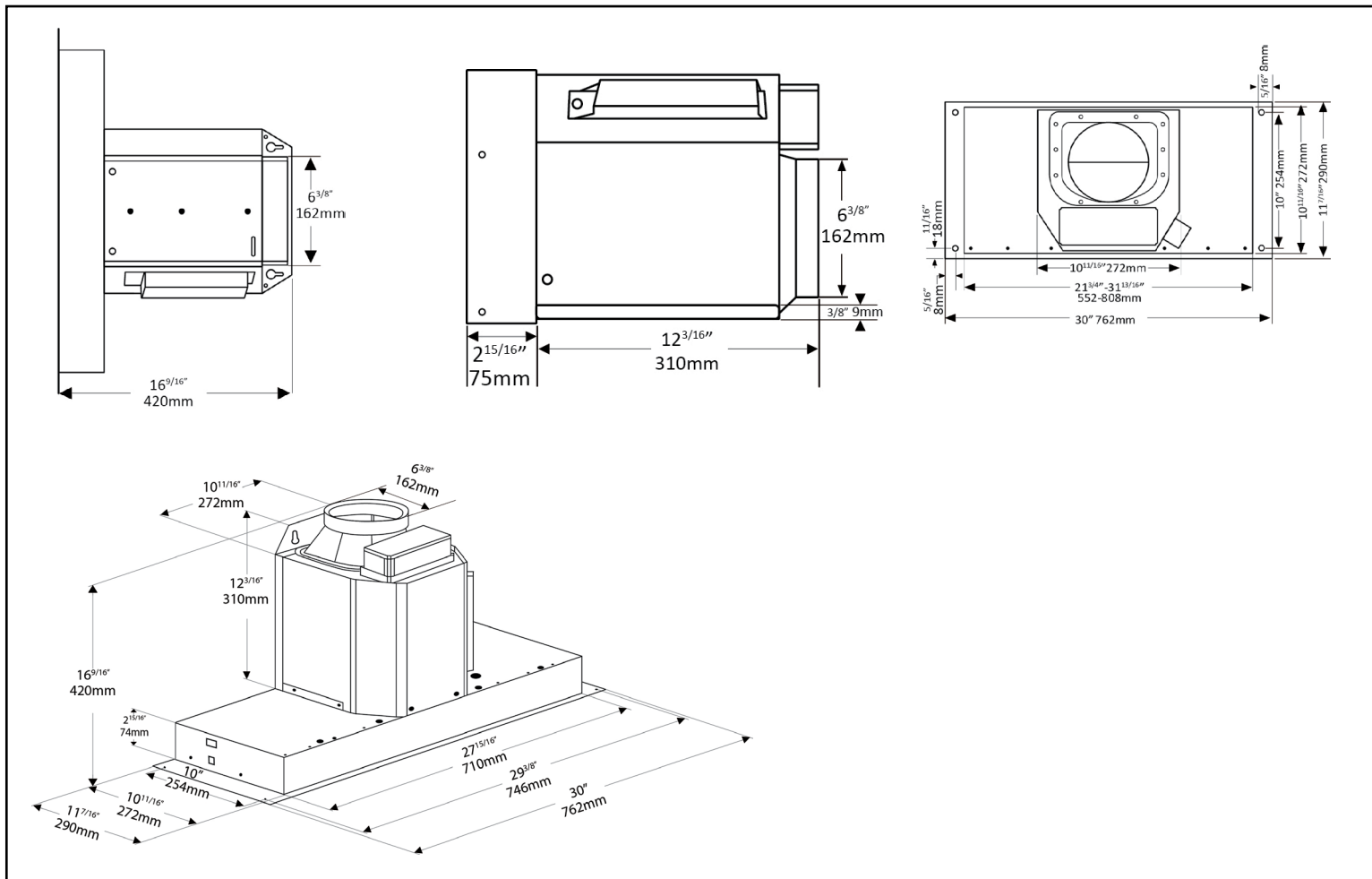
Width: 30" / Depth: 11⁷/₁₆"

Width: 762mm / Depth: 290mm

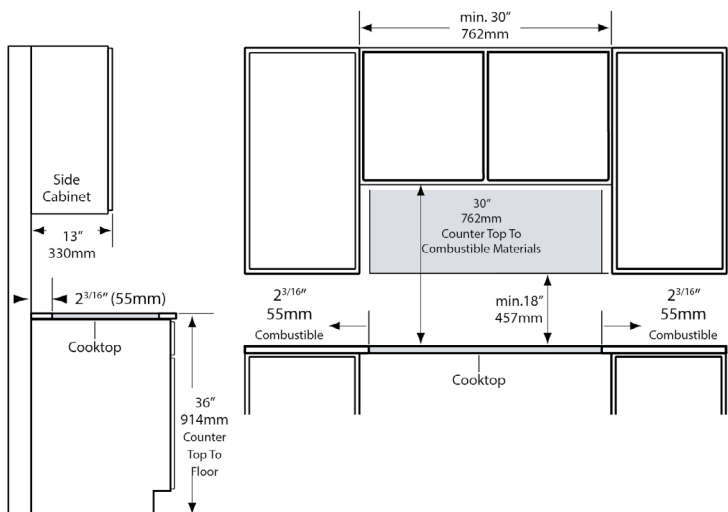
CUT-OUT DIMENSIONS (INCH/MM)

Width: 28³/₄" / Depth: 10¹¹/₁₆"

Width: 730mm / Depth: 272mm



RECOMMENDED CABINET MINIMUM CLEARANCE



For optimal performance, the distance from the cooking surface to the bottom of the range hood should be between 24" and 30", unless otherwise noted. DO NOT install a range hood less than 24" above cooking surface.

*Minimum. 24" clearance space must be present between an electric or induction cook-top and the range hood, 30" min clearance is required above gas cook-tops.



WARRANTY INFORMATION

AEG Appliances are designed and manufactured to the highest standards. Each appliance is covered by a comprehensive 2-year parts and labour warranty. Refer to product warranty policy for complete terms and conditions.

FOR PARTS & SERVICE

Euro-Parts & Service

39822 Belgrave Road, Belgrave, ON. NOG 1E0 1 866 722 2262
www.euro-parts.ca · parts@euro-parts.ca · service@euro-parts.ca

AEG appliances are imported and distributed in North America by Euro-Line Appliances Inc. For more information, please visit one of our showrooms or www.ela.ca / www.elawest.ca

EURO-LINE APPLIANCES INC.

871 Cranberry Court Oakville, ON
L6L 6J7 Canada
905 829 3980
1 800 421 6332
info@ela.ca

EURO-LINE APPLIANCES INC.

101-1014 Homer Street Vancouver,
BC V6B 2W9 Canada
604 235 3980
1 855 ELA WEST (352 9378)
info@elawest.ca