

24" 7KG Front Load Vented Dryer



 Simple interface

 Sleek door

 Drying Modes

 Sensor drying

 AirRefresh

 Sport Programme

 Bedding

 Baby

 StartDelay

 Anti crease

 StableTech

 Vacuum Feet

GENERAL PROPERTIES

Front/Top Load	Front Load
Colour	White
FEATURES	
Drying Capacity	1-7KG
Door Diameter	35cm
Door Opening Angle	180 °
Reversible Drum Action	
Keys	Start/Pause
Controls	Button/Selector Knob
Type of Display	LED Display
Drying Time Selection	Step Setting
Dryness Level Setting	
Low temperature option	
StartDelay	
Easy filter cleaning	
Vacuum feet	
Humidity sensor	
Galvanized drum	
Personalized Settings	For all programs
Lockable Control Panel	
StableTech Side Panels	
End Program Indicator	

PROGRAMS & MODES

Bedding	Downwear
Cotton Storage	Baby
Normal	Sportswear
Iron	Shirts
Mix Storage	Time (30'/60'/90')
Wool	GentleCare (Mode)
Sensitive	ExtraDry (Mode)
Air Refresh	

TECHNICAL SPECIFICATIONS

Noise Level Drying	64 dB(A)re 1 pW
Electrical Connection	208/230 V / 15 Amp / 60Hz
Connected Load	2,600 W
Consumption in Standby Mode	0.5 W

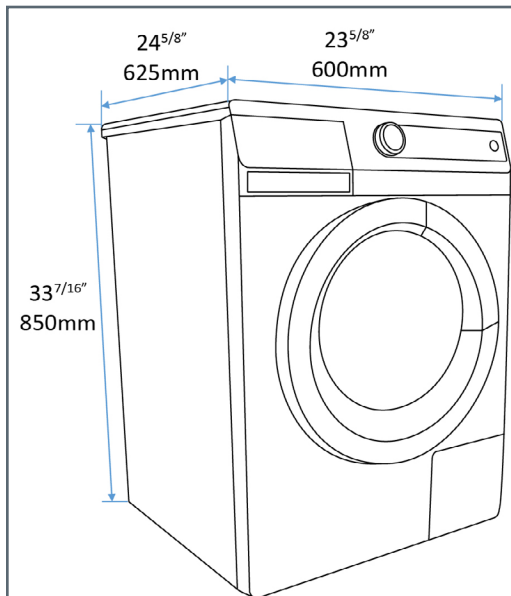
DIMENSIONS & WEIGHT

Unit (WxHxD) inch	23 ^{5/8"} x 33 ^{7/16"} x 24 ^{5/8"}
Unit (WxHxD) mm	600 mm x 850 mm x 625 mm
Net Weight (KG)	34 KG
Gross Weight (KG)	38.4 KG

ENVIRONMENTAL STANDARDS

ENERGYSTAR®	
-------------	--

SPECIFICATIONS



TECHNICAL SPECIFICATIONS

Noise Level Drying	64 dB(A)re 1 pW
Electrical Connection	208/230 V / 15 Amp / 60Hz
Connected Load	2,+00 W
Consumption in Standby Mode	0.5 W

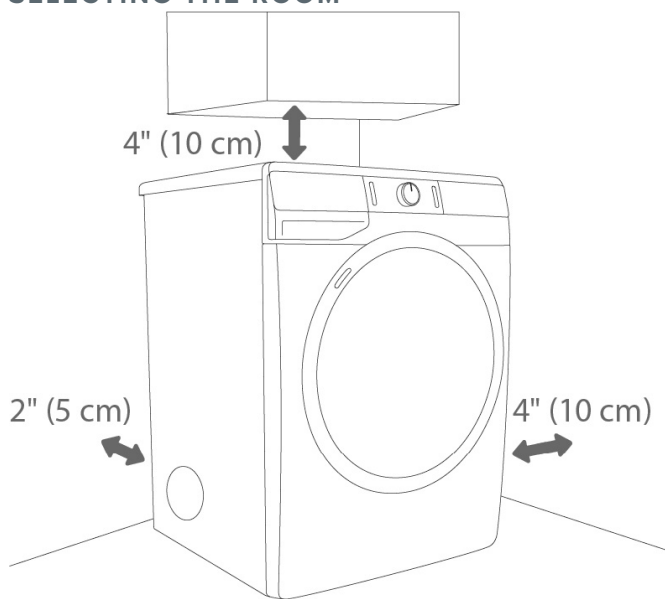
DIMENSIONS & WEIGHT

Unit (WxHxD) inch	23 ^{5/8} " x 33 ^{7/16} " x 24 ^{5/8} "
Unit (WxHxD) mm	600 mm x 850 mm x 625 mm
Net Weight (KG)	34 KG
Gross Weight (KG)	38.4 KG

ENVIRONMENTAL STANDARDS

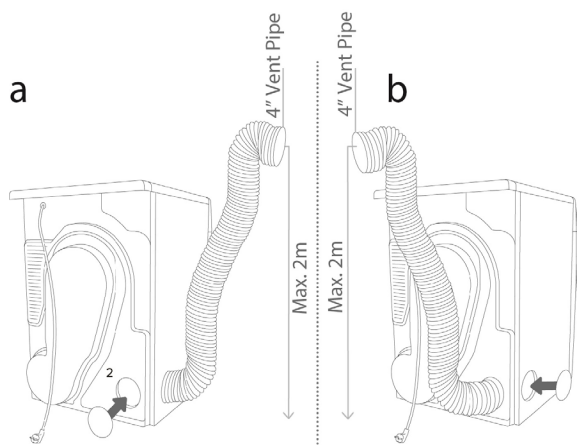
ENERGYSTAR®	I
-------------	---

SELECTING THE ROOM



- The dryer may not be in contact with a wall or adjacent furniture. For optimum dryer operation, we recommend observing the clearance from the walls as indicated in the figure. In case of failure to heed the required minimum clearance, the dryer may overheat.
- Vents on the appliance back wall, and humid air exhaust opening on the side or back wall may not be obstructed.
- Place the appliance in a thoroughly ventilated room with a window or ventilation fan.
- Connect the exhaust duct to the air exhaust opening. Do not connect the exhaust to a duct that is also used for evacuation of combustion gases from other appliances or gases from appliances that use other combustible substances for their operation.
- The dryer emits heat. Therefore, do not place it in a very small room, as the drying process may take longer due to limited amount of available air.
- Lighting in the room should be sufficient to allow reading the information on the display unit on the control panel.

EVACUATION OF HUMID AIR

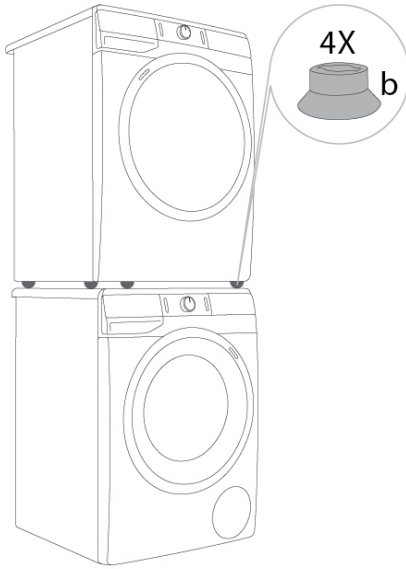


- The dryer has two humid air exhaust openings on the front and rear side (options a/b). Close one of them with a cap and connect the air exhaust duct to the other one.
- The distance between the dryer and the air evacuation opening (ventilation opening, window) may not exceed 2 meters. Otherwise, moisture could accumulate in the air exhaust duct.
- Do not evacuate the air from the dryer through channels used for appliances or devices that use natural gas or other fuels for their operation.

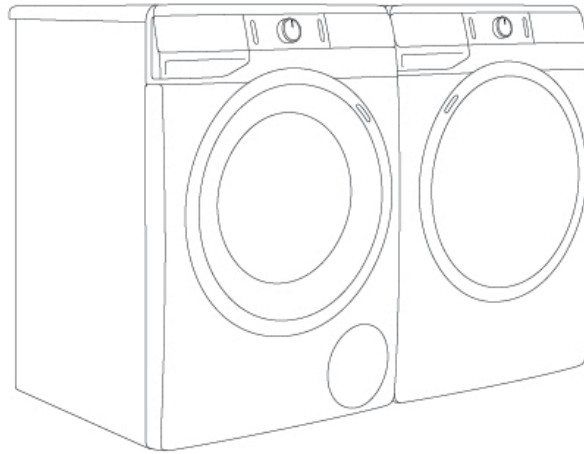
SPECIFICATIONS

DRYER PLACEMENT

- If you also have a Gorenje dryer of corresponding (same) dimensions, it can be placed on top of the Gorenje washing machine; in this case, vacuum feet must be used. Alternatively, the dryer can be placed next to the washing machine (figures 1 and 2).
- The unit is supplied with vacuum feet for stacking.
- The surface on which the appliance is placed should be clean and level.



1

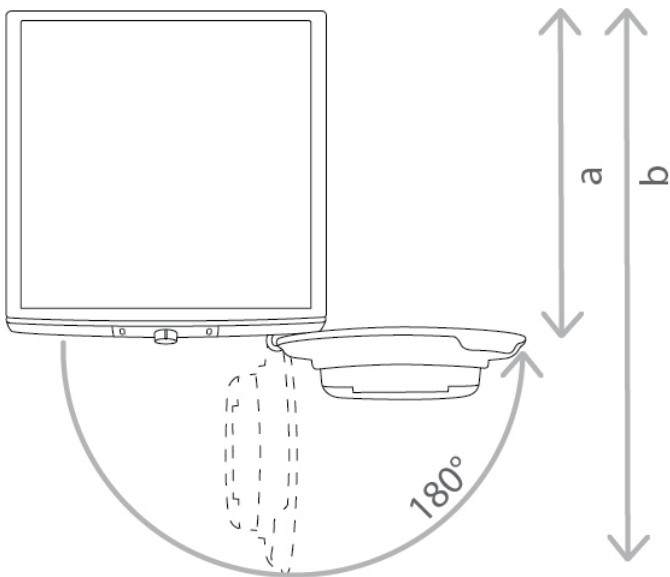


2

OPENING THE DRYER DOOR (BIRDS-EYE VIEW)

A. = 24½" (625 mm)

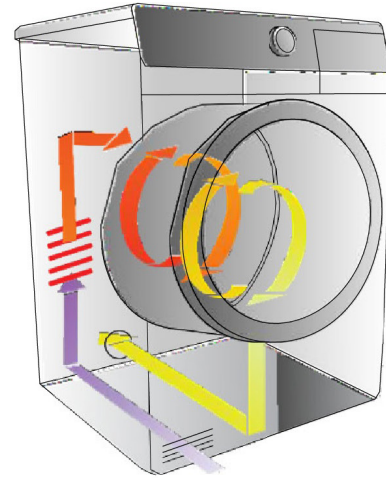
B. = 44½" (1134 mm)



DRYER TECHNOLOGY EXPLAINED

VENTED DRYER

- Air is warmed up through a heater and is blown through the clothes.
- Humidity is taken away in the process.
- Hot humid air is then vented outside of the home.



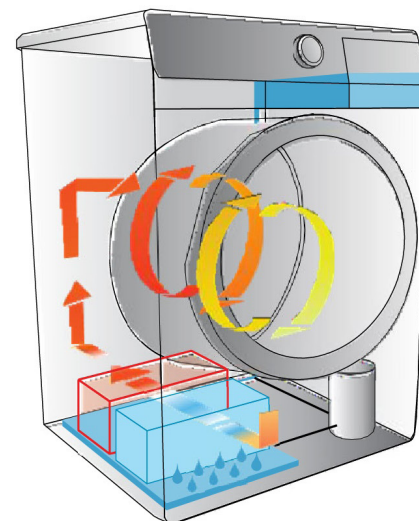
CONDENSER DRYER

- Hot, humid air is blown through a condenser, where it is cooled by using air from the surrounding area.
- Condensate vapour from hot air takes place on the ribs of the condenser.
- Water is then pumped from the bottom of the dryer to a reservoir.
- Condensation dryer does not release moisture back into your home and does not require any extra external venting.



HEAT PUMP DRYER

- Heat pump dryers use the same condensation principle as a condenser dryer to remove water from your clothes.
- Instead, it uses a heat pump instead of an electric heater to heat the air.
- Heat pump dryers do not require any outdoor venting and while boasting very high energy efficiency results.
- Heat pump dryers are the most cost-effective in terms of energy consumption.



gorenje

Life Simplified

WARRANTY INFORMATION

GORENJE Appliances are designed and manufactured to the highest standards. Each appliance is covered by a comprehensive 2-year parts and labour warranty.

Refer to product warranty policy for complete terms and conditions.

FOR PARTS & SERVICE

Euro-Parts & Service

39822 Belgrave Road, Belgrave, ON. N0G 1E0 1 866 722 2262

www.euro-parts.ca • parts@euro-parts.ca • service@euro-parts.ca

Gorenje appliances are imported and distributed in North America by Euro-Line Appliances Inc. For more information, please visit one of our showrooms or www.ela.ca / www.elawest.ca

EURO-LINE APPLIANCES INC.

871 Cranberry Court, Oakville, ON L6L
6J7 Canada
905 829 3980
1 800 421 6332
info@ela.ca

EURO-LINE APPLIANCES INC.

101-1014 Homer Street, Vancouver, BC
V6B 2W9 Canada
604 235 3980
1 855 ELA WEST (352 9378)
info@elawest.ca