

MWPS60TM

24" BUILT-IN COMPACT MICROWAVE OVEN PLUS GRILL



MWPS60TM

24" BUILT-IN COMPACT MICROWAVE OVEN PLUS GRILL



FEATURES

- 38 litre (1.34 cu. ft.) oven capacity, 45 cm high
- Microwave and grill modes
- Fingerprint proof stainless steel frame
- Stainless steel inner cavity
- Digital display with easy to use retractable control knobs
- Children's safety lock
- Memory function- program 3 favourite recipes
- 3 AutoCook functions
- Drop-down grill for easy cleaning
- Fully programmable clock and timer

MICROWAVE OVEN ACCESSORIES

- Circular glass turntable
- Turntable ring and support
- Browning plate
- High grill rack
- Low grill rack
- Optional – TK455 : 2 piece stainless steel trim kit to create a seamless cooking tower in 30" cabinet opening

ELECTRICAL REQUIREMENTS

- 208/240 Volt, 60Hz, 20 amp
- Supplied with a 5ft long electrical cable and must be hard wired

MICROWAVE OVEN DIMENSIONS (Inch/mm)

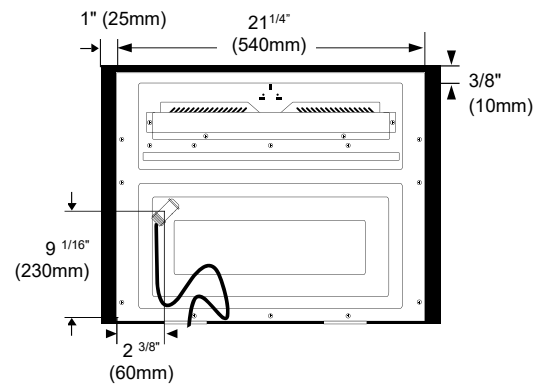
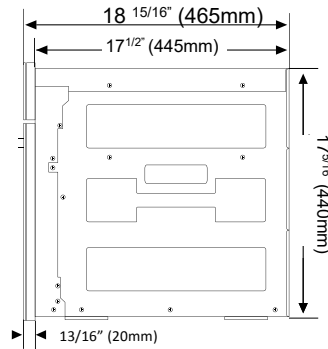
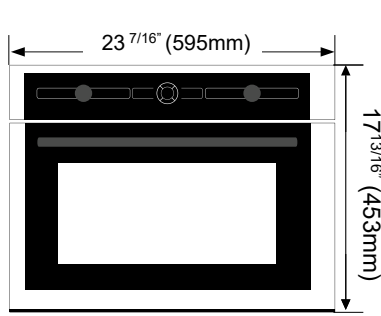
- D: 18 ¹⁵/₁₆" • W: 23 ⁷/₁₆" • H: 17 ¹³/₁₆"
- D: 465 mm • W: 595 mm • H: 453 mm

CUT OUT DIMENSIONS (Inch/mm)

- D: 21 ⁵/₈" • W: 22 ¹/₁₆" • H: 17 ³/₄"
- D: min. 550 mm • W: min. 560 mm • H: 450 mm

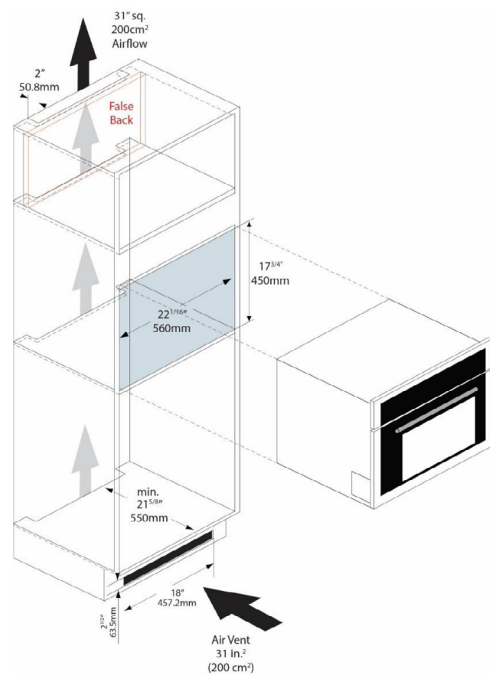
MWPS60TM

SPECIFICATIONS



SPEED OVEN DIMENSIONS

- D: 18 15/16" x W: 23 7/16" x H: 17 13/16"
- D: 465 mm x W: 595 mm x H: 453 mm



CUT OUT DIMENSIONS

- D: 21 5/8" • W: 22 1/16" • H: 17 3/4"
- D: min. 550 mm • W: min. 560 mm • H: 450 mm

ELECTRICAL REQUIREMENTS

- 208/240 Volt, 60Hz, 20 amp
- Supplied with a 5ft long electrical cable and must be hard wired

IMPORTANT

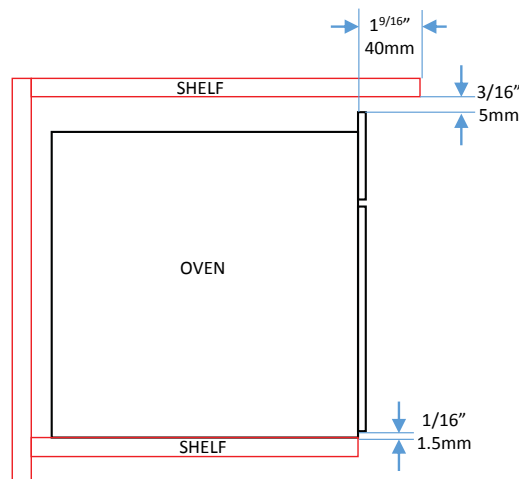
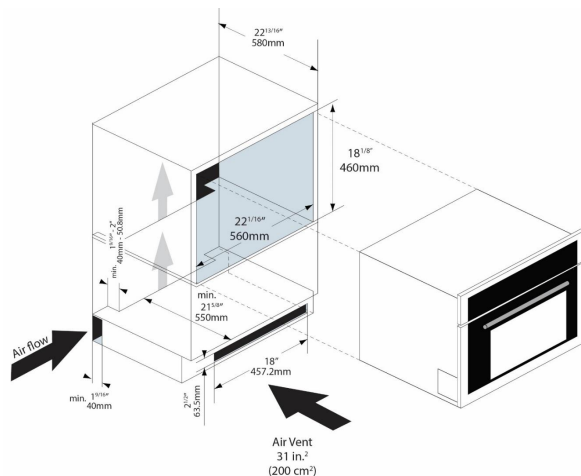
- PORTER&CHARLES ovens are supplied with a 5' long electrical cable and must be hard wired to the electrical supply
- PORTER&CHARLES ovens uses the following wires:
RED & BLACK: Live Wires GREEN: Ground
The Neutral (White) wire is not required for the electrical installation.

FALSE BACKS

- Install false backs for storage spaces. This will prevent contents from falling through the vent space. In addition, warm air will not interfere with your stored contents

UNDER CABINET CUT OUT DIMENSIONS

SIDE VIEW





Porter & Charles Appliances are designed and manufactured to the highest standards.
Each appliance is covered by a comprehensive 2-year parts and labor warranty.

Refer to product warranty policy for complete terms and conditions.

FOR PARTS AND SERVICE

Euro-Parts & Service
39822 Belgrave Road, Belgrave, ON. N0G 1E0
1 800 678 8352 (Canada) • 1 800 561 4614 (U.S.)

www.euro-parts.ca • parts@euro-parts.ca • service@euro-parts.ca

Porter & Charles appliances are imported and distributed in North America by
Euro-Line Appliances Inc. For more information, please visit one of our showrooms or
www.ela.ca www.elawest.ca

EURO-LINE APPLIANCES INC.

871 Cranberry Court
Oakville, ON L6L 6J7 Canada
905 829 3980 - 1.800.421.6332
info@ela.ca

EURO-LINE APPLIANCES WEST INC.

101-1014 Homer St.
Vancouver, BC V6B 2W9 Canada
604 235 3984 - 1 855 ELA WEST (352 9378)
info@elawest.ca

