

ICS5100 & ICS5101

Fully Integrated Appliances

LIEBHERR

Refrigeration and Freezing



home.liebherr.com



ICS5100 & ICS5101	
Energy consumption (kWh / y)	300
Estimated Yearly Energy Cost in US \$	36
Sound rating dB(A)	34
Total capacity cu.ft. (l)	8.9
Refrigerator capacity cu.ft. (l)	6.5
BioFresh compartment cu.ft. (l)	N/A
Freezer capacity cu.ft. (l)	2.4
Electronic control	Touch display
Defrost type	Automatic
Interior light	Ceiling LED
Number of shelves	4 / 3 adjustable
Number of door racks	3
Number of freezer drawers	3
Refrigerator Temperature range °F (°C)	+36°F to +48°F (+2°C to +9°C)
Freezer Temperature range °F (°C)	+5°F to -15°F (-15°C to -26°C)
Internal Water Dispenser	No
Ice maker	No
Ice cube output lbs. (kg.)	N/A
Ice cube stock lbs. (kg.)	N/A
Door hinges	right, reversible
Door installation	Sliding door
Product dimensions	
in inch (H / W / D)	69 11/16 21 5/16 21 1/2
in cm (H / W / D)	177.0/54.1/54.5
Cut out dimensions	
in inch (H / W / D)	69 13/16-70 7/16 22 1/16-22 1/2 21 11/16
in cm (H / W / D)	177,2 - 178,8/56 - 57/55,0
Net weight lbs. (kg)	145.50 (66)
Voltage V / Hz	115/60

* Energy Cost will depend on utility rates and use. Estimated energy cost based on a national average electricity cost of 12 cents per kWh.

** Noise output – according to EN 60704-3

Accessories

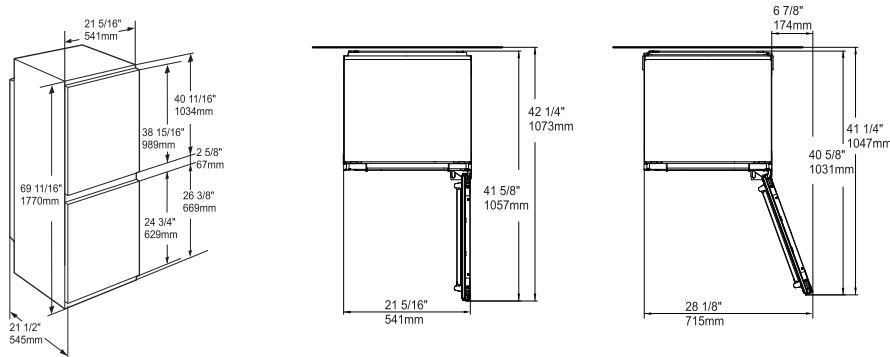
Door opening limitation (hinge pin)	9096214
SmartDeviceBox	6125265
Air Filter	9096989

Features

Duo Cooling	Lengthen the shelf life and preserve the flavor of your foods with a dual refrigeration system that creates ideal conditions in both the refrigerator and freezer.
Power Cooling	The fan – as powerful as it is quiet – distributes the cold air efficiently throughout the entire refrigeration compartment.
Easy Fresh	The guarantee of market freshness in your home. Whether it's unpackaged vegetables or fruit, Easy Fresh ensures everything is optimally stored and keeps food fresh for longer.
Super Silent	Noise levels are kept to a minimum thanks to virtually silent, speed-controlled, and sound absorbing compressors.
LED	The energy efficient LED ceiling light not only emits virtually no heat for the optimal storage of wines, but is dimmable for a pleasant ambient light within the cabinet, as well as a cool glow for the room.
No Frost	Food is frozen with chilled, recirculating air, while expelling humidity. As a result, the freezer is always free of ice, ensuring long-term freshness.

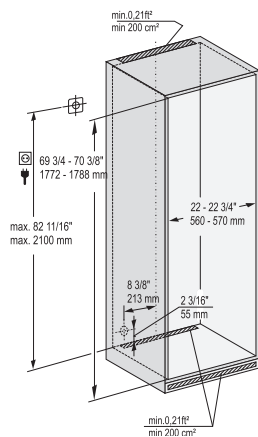
Diagrams

Product Dimensions



Important:
Stated product height dimensions consider leveled feet are fully inserted.

Frameless Dedicated Cabinet Box Dimensions



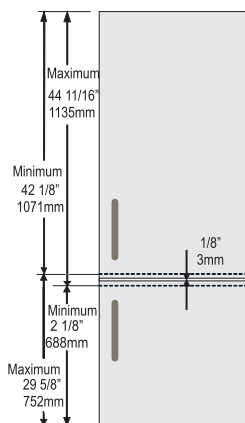
This is a fully integrated refrigerator-freezer appliance designed to be completely enclosed in a dedicated kitchen cabinet. This dedicated cabinet box must be constructed in accordance with the specified dimensions and must allow for sufficient air circulation to ensure proper operation. For more details about ventilation requirements, please refer to the Design Guide.

A ventilation grill (included with the appliance) must be installed in the base of the dedicated box, for dimensions of the toe kick ventilation grill, please refer to the Design Guide. The toe kick area of the Dedicated Cabinet Box can be recessed like the rest of the kitchen cabinets.

We recommend that the power outlet be located outside the dedicated cabinet box for easy access. Free length of the power cord is 7.2 ft. (2.2m)

3" of the cabinet needs to be surface finished as it is visible when the door is open.

Door Panel Dimensions



This is a sliding door model, which means the doors of the appliance are installed on the hinges of the dedicated box cabinet doors.

Custom panels should be at least 5/8" (16mm) and a maximum of 3/4" (19mm) thick and they should cover the front of the dedicated cabinet box.

For the exact size and design method, please refer to the Design Guide.

Panel and handle max weight has to be considered based on the cabinet hinges recommendation. More than 2 hinges can be installed to support more custom panel door weight.

If using a "shaker style" panel that undershoots the minimum panel thickness, please be aware that you will need to use shorter screws than those supplied in the accessory pack.