

ARWDF129

33.0" x 23.63" x 22.75" (H x W x D)

Deluxe 24" wide washer/dryer combo for non-vented use, with 15 lb. wash capacity

Highlights:

- Energy efficient design saves on water use and electricity
- 10 wash cycles offer the proper care for all fabric types
- Super silent operation with a unique tri-phase motor
- 24" width fits easily in tight spaces



Slim undercounter dimensions	Just under 24" wide for an easy fit
Energy efficient	Smart design uses less energy than many appliances in its class. This model is ENERGY STAR qualified in Canada (Note: There is no washer/dryer combo category for U.S. ENERGY STAR ratings)
10 wash settings	Get the proper fabric care with settings for regular cottons, colored cottons, permanent press, mixed load, quick wash & dry, bright white, active wear, lightly soiled, wool, and delicates
Woolmark Silver Care setting	Perfect for keeping your wools clean and soft
Quick Wash & Dry setting	Extra fast wash and dry cycle cleans small loads in just 60 minutes
Active Wear setting	Ideal for giving common workout fabric a thorough cleaning
Stainless steel drum	Durable interior holds up load after load
Extra Rinse option	Removes all traces of detergent so fabric is safe for those with sensitive skin

Bright White
setting

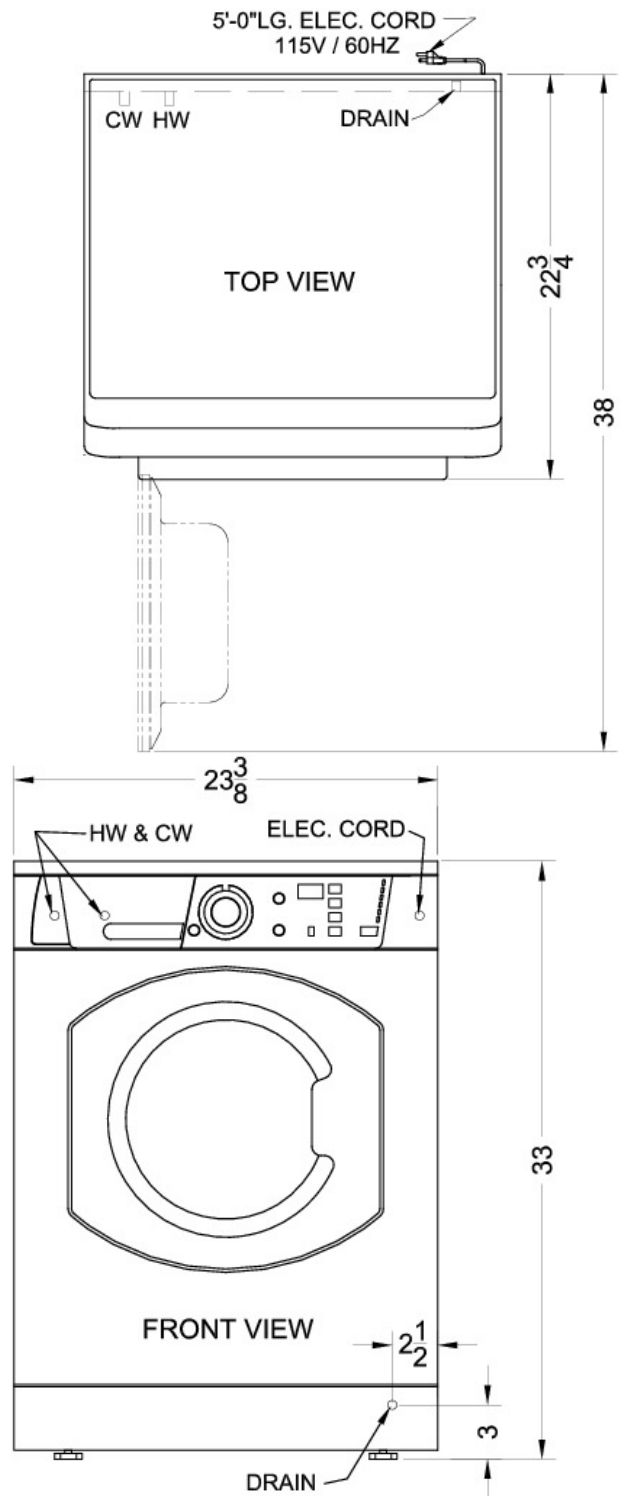
Ensures your white fabric retains its brightness

Time display

Digital readout of time remaining lets you keep track of each cycle

Specifications:

Height	33.0"
Width	23.63"
Depth	22.75"
Shipping Weight	172.0 lbs.
Weight	148.0 lbs.
Canadian Electrical Safety	ULC
Voltage/Frequency	115 V AC/60 Hz
US Electrical Safety	UL
Amps	11.0
Energy Usage/Year	115.0 kWh/year
Depth with door at 90°	38.0"
Door Window	true
Style	Front Loading
Control Type	Dial
Number of Cycles	10
Max Clothes Weight per Wash	15.0 lbs.
Max Temperature	134.0 °F
Leveling Legs	true
Dispenser Compartment	true
Max Drum Spin Speed	1200.0
Number of Dispensers	3
Parts/Labor Warranty	1 Year



Summit Appliance Division, Felix Storch, Inc.
 770 Garrison Ave • Bronx, NY 10474
 Phone: 718-893-3900 • Fax: 718-842-3093
 Email: info@summitappliance.com