

TIMELESS, COMFORTABLE, VERSATILE. The simplicity that makes you love it and the ease of use that improves everyday life, with the certainty of constant and enduring reliability. A hood that is also easy to clean and that satisfies all practical requirements while being remarkably effective in neutralizing fumes, vapors and odors in the kitchen, making the environment even more comfortable.



**NEW RECIRCULATING
OR DUCTED HOOD**

AVAILABLE MODELS

Model #	Size / Color	Motor Class (CFM)	Sound Levels (sones)
LEVG24SS300	24 Stainless	300	3.5 - 6.6 sones
LEVG30SS300	30 Stainless	300	3.5 - 6.6 sones

KEY FEATURES

New Push Button Controls!

Backlit LED indicator and backlit controls with a LED light to indicate the current speed.

Dishwasher safe grease filters

Multi-layered mesh filters capture grease and allow for easy clean up in the dishwasher

Ductless / Recirculating Model

Grills on the front of the model assist in recirculation.

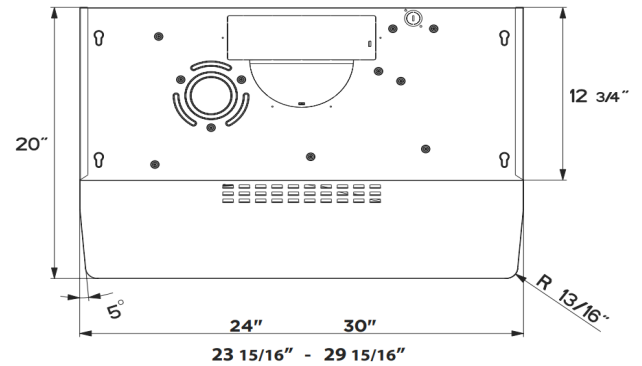
LEVANTE G

UNDER CABINET RANGE HOOD



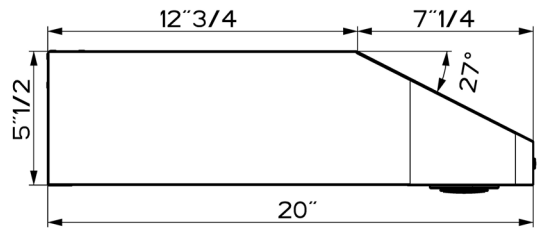
DIMENSIONS

Canopy Depth / Height	20" d / 5 1/2" h
Convertible To Ductless / Recirculating	yes (with FILTER5)
Controls	4 speed electronic control
Lighting	2 x 35 (w) halogen
Ducting Top / Rear (Back)	7" round (top) / 3 1/4" x 10" (top or back)
Grease Filters	dishwasher safe mesh
AC Power	260 watts / 2.1 amps
Ducting Rear Vent (Vari-Duct)	3 1/4" X 10" Rectangle
10 Min. Intensive Speed	yes
Fixed Wiring Box	yes
ADA Compliant	no



PERFORMANCE

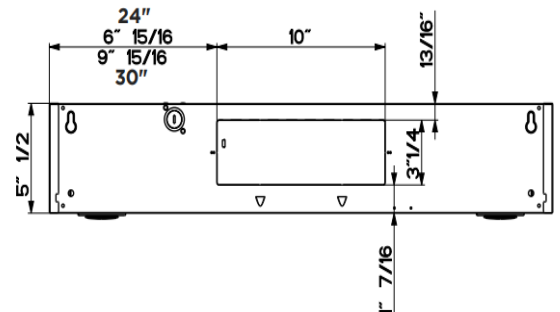
SPEED	1	2	3
CFM	90	190	290
Sones	3.5	5.0	6.6



ACCESSORIES

FILTER5 - Charcoal Filter Kit

High quality charcoal filter for use when recirculating the air back into the kitchen. Filters out odor and should be replaced every 6 months



Product specifications are subject to change without notification. Consult the installation instructions before you begin installing this range hood. *Check local make up air codes for guidelines.

