

## SEU304EMTB

70CM (30") Ceramic Cooktop  
Black Glass

EAN13: 8017709240981

Built-in type: Ultra-low profile

Power supply: Electric

Glass type: Ceramic

Glass edge: Beveled

Type of control setting: Touch controls

Control knob position: Front

Serigraphy colour: Grey

### Programs / Functions

Total cook zones: 4

Total ceramic cook zones: 4

Total booster cook zones: 4

Power levels: 9

### Options

End cooking timer: 1

End of cooking alarm

Limited Power Consumption Mode

Limited Power Consumption Mode - Steps: 4000 W

Showroom Demo Option

Controls Lock / Child Safety

Quick start

### Technical Features

Front left - Ceramic - single - 1200 W - Ø 5.83"

Rear left - Ceramic - double - 1000 - 1000 W - Ø 5.83" - Ø 8.43"

Rear right - Ceramic - extendible - 1600 - 2400 W - Ø 6.69" - 10.43"x6.69"

Front right - Ceramic - single - 1200 W - Ø 5.83"

### Accessories Included

Scraper: 1

### Electrical Connection

Electrical connection rating (W): 6800 W

Voltage (V): 240 V

Voltage 2 (V): 208 V

Cord type: Single phase



Frequency (Hz): 60 Hz

Length of electrical supply cord (cm): 47.25"

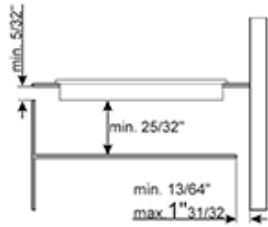
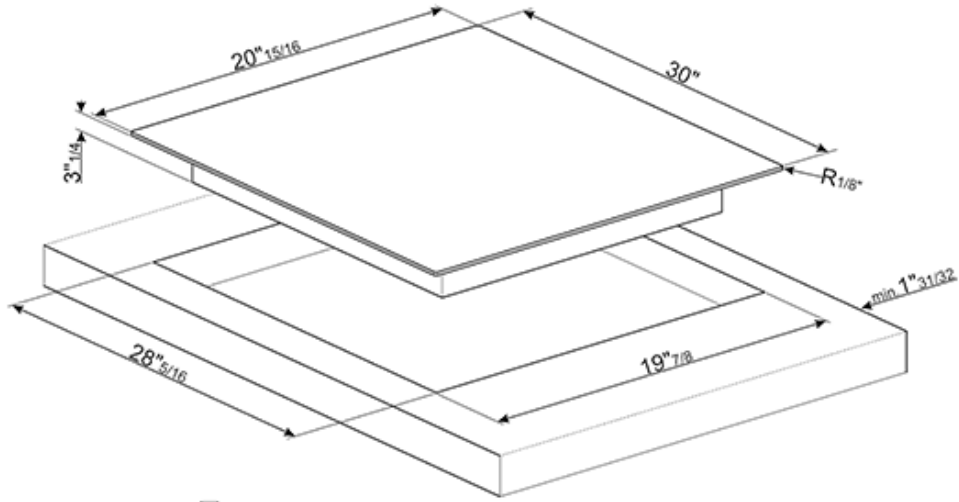
Terminal box: 6 poles

**SMEG U.S.A. INC.**  
**A&D BUILDING**  
**150 EAST 58th STREET, 7th FLOOR**  
**NEW YORK, NY, 10155**  
**Tel. +1 212 265 5378**  
**Fax +1 212 265 5945**



# SEU304EMTB

ceramic cooktop  
30"  
black  
touch control



SMEG U.S.A. INC.  
A&D BUILDING  
150 EAST 58th STREET, 7th FLOOR  
NEW YORK, NY, 10155  
Tel. +1 212 265 5378  
Fax +1 212 265 5945