



MODÈLE/MODEL: **AVC-276PS - COLORADO**

INSTRUCTIONS D'INSTALLATION ET GUIDE DE L'USAGER
INSTALLATION GUIDE / USE AND CARE MANUAL

Hotte encastrable 28" (27,6") / 28" (27,6") Built-in Hood

IMPORTANT: Lire et conserver ces instructions. *Read and save these instructions.*

NOTE : Installateur: Laissez ce manuel au propriétaire. Propriétaire: Conservez ce guide pour référence ultérieure.

Installer: Leave this manual with the homeowner. Homeowner: Keep this guide for future reference.



Table of Contents

Important Security Instructions	17
Tools and parts	18
Dimensions of the product	19
Dimensions of the cabinet	20
Electrical specifications	23
Installation Instructions.....	24
Use Instructions	27
Maintenance Instructions	28
AVG Warranty	29

APPROVED FOR RESIDENTIAL TYPE DEVICES FOR RESIDENTIAL USE ONLY.

READ AND SAVE THESE INSTRUCTIONS.

**PLEASE READ THE ENTIRE INSTRUCTIONS BEFORE YOU BEGIN.
INSTALLATION OF THE UNIT MUST RESPECT ALL CODES.**

IMPORTANT: Keep these instructions in order to provide them to the electrical inspector in your area.

INSTALLER: Please leave these instructions with the owner of the unit.

PROPRIÉTAIRE: Keep these instructions for future reference.

Security warning: Turn off the power circuit in the electrical panel and lock the front panel before connecting the wires of this unit.

Requirements: 120V c.a., 60Hz branch circuit of 15V c.a., 20Hz, of 15 or 20A.

IMPORTANTES SECURITY INSTRUCTIONS

WARNING: TO REDUCE THE RISK OF FIRE, ELECTRIC CHOC OR BODILY HARM, RESPECT THE FOLLOWING INSTRUCTIONS:

- ⊗ Use this unit only for the purpose that it is intended by the manufacturer. For questions, contact the manufacturer.
- ⊗ Before undertaking maintenance or cleaning, interrupt the power supply to the hood at the breaker panel and lock the breaker panel to prevent accidental restoration of the power circuit. Where it is not possible to lock the breaker box, place a prominent warning label on the breaker panel prohibiting the restoration of the power supply.
- ⊗ All installation and electrical wiring must be done by a qualified person in compliance with the requirements of all applicable codes and standards including building codes and protection against fire.
- ⊗ Do not operate a fan whose cord or plug is damaged. Discard of the fan or return to an authorized service center for inspection and / or repair.
- ⊗ A sufficient flow of air source is necessary for proper operation of any gas appliance (combustion and evacuation of combustion gases through the chimney), so that there is no return of combustion gases. Follow the instructions of the heating equipment manufacturer and the safety standards requirements as well as the requirements of local regulatory authorities.
- ⊗ When cutting or drilling into a wall or ceiling, make sure to not damage electrical wiring or pipes that may be found behind said wall or ceiling.
- ⊗ Exhaust fans must always be vented outdoors.

CAUTION: This device is intended solely for general and household ventilation. Do not use for the extraction of materials or hazardous or explosive vapors.

CAUTION: To minimize the risk of fire and to properly exhaust air, be sure to route the air sucked through a pipe to the outside - not to discharge the air sucked into an empty space of the building as a cavity wall, ceiling , attic, crawl space or garage.

WARNING: TO REDUCE THE RISK OF FIRE, USE ONLY METAL DUCTWORK.

WARNING: TO REDUCE THE RISK OF A GREASE FIRE, PLEASE OBSERVE THE FOLLOWING INSTRUCTIONS:

- ⊗ Never leave unattended any surface elements operating at maximum heating power. A boil-over or greasy spillovers may cause inflammation and generate smoke. Always use medium or low heat for heating oil.
- ⊗ Always run the fan hood when cooking on high heat or when cooking a dish that flares (i.e. Crepes Suzette, Cherries Jubilee, Pepper steak flambé)
- ⊗ Clean the exhaust fans frequently. Do not allow grease to accumulate on fan or filters.
- ⊗ Always use an appropriately sized pan. Always use cookware that is appropriate for the size of the heating element.

WARNING: TO REDUCE THE RISK OF INJURY IN THE CASE OF A GREASE FIRE ON THE RANGE, PLEASE APPLY THE FOLLOWING RECOMMENDATIONS:

- ⊗ Place a well-adjusted lid, a cookie sheet or a metallic platter on the pan TO STIFLE THE FLAMES, then turn of the burners. **TRY TO AVOID BURNING YOURSELF.** If the flames are not immediately extinguished, **EVACUATE THE PREMISES AND CALL THE FIRE DEPARTMENT.**
- ⊗ **NEVER TAKE A FLAMING PAN WITH YOUR HANDS** – you risk burning yourself.
- ⊗ **DO NOT USE WATER**, nor a wet or humid rag – this could cause a burning cloud of steam.
- ⊗ Use an extinguisher **ONLY IF:**
 - It is a class ABC extinguisher that you know how to operate.
 - It is a small fire that is still limited to where it has started.
 - The fire department has been called.
 - It is possible to keep your back to an exit while you are fighting the fire.

WARNING: To reduce the risk of fire or electric shock, do not use this fan with any semiconductor speed control device.

Tools and Parts

Gather the required tools and parts before starting installation. Read and follow the instructions provided with the tools listed below.

Required tools

- Level
- Drill
- Drill bit of 1/8" (3 mm)
- Pencil
- Pliers
- Measuring tape or ruler
- Caulking gun and waterproof caulking compound
- Phillips screwdriver
- Flat-blade screwdriver
- Jigsaw or reciprocator saw
- Duct flanges
- Tin snips

Necessary parts

- Round metal drain pipe system of 6" (15.2 cm) in diameter

Location requirements

IMPORTANT: Observe that all local and National codes and regulations are met.

Entrust the installation of the hood to a qualified installer. It is the installer's responsibility to respect the separation clearances specified on the nameplate of the unit. The unit's rating plate is located behind the filter on the left rear wall of the hood. Install the range hood away from any area that is exposed to drafts, such as windows, doors and heating vents.

Follow the dimensions indicated for openings to be cut in cabinets. These dimensions provide minimum clearance separation. Before making cut-outs, refer to the instructions of the cooktop or range, above which you will place the hood.

One must have a grounded electrical outlet. See "Electrical Specifications" for more information.

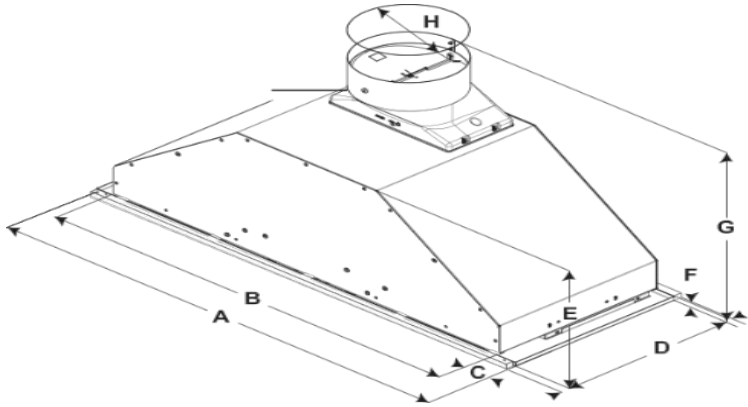
The hood is configured for installation with a discharge to the outside through the roof or wall.

Make sure to seal each opening cut in the ceiling or wall for the installation of the range hood.

Installation in a mobile home

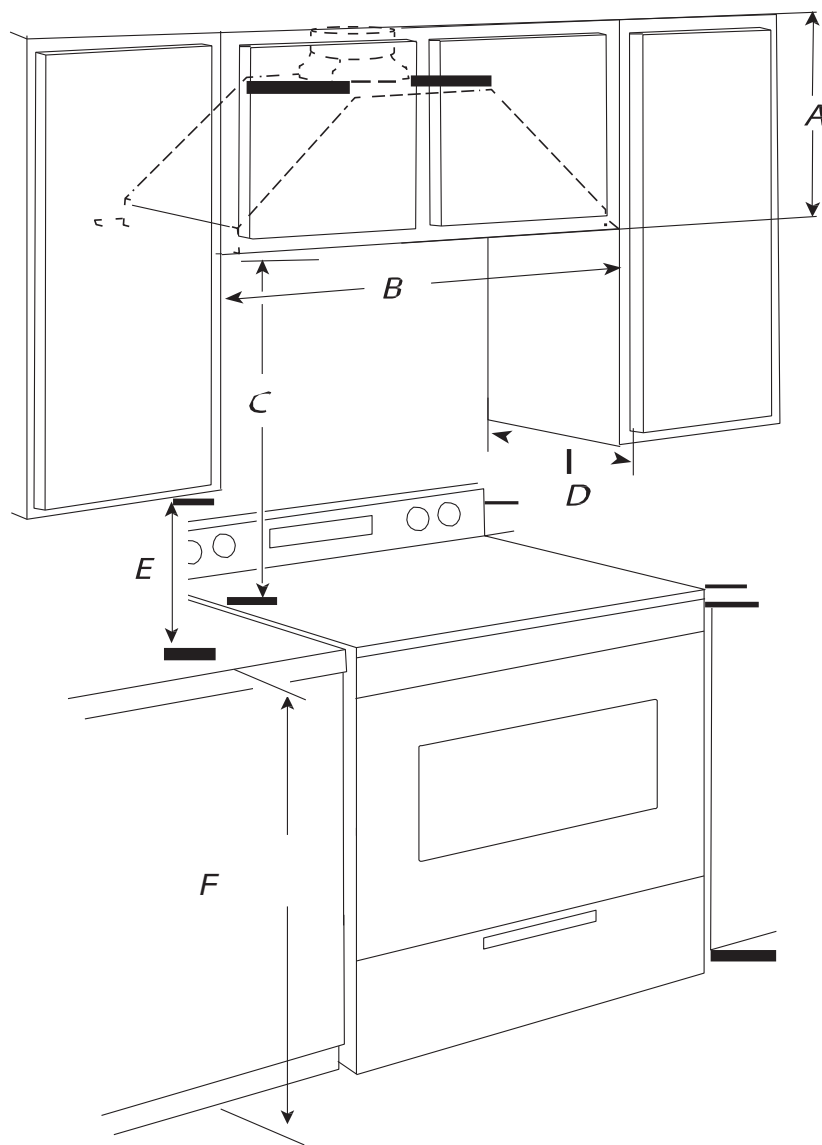
The installation of this range hood must meet the requirements of national and local standards and codes.

Dimensions of the product



Built-In Hood 27.6 " (70.1 cm)	
	Dimension
DIM A	27 1/2" (68.6 cm)
DIM B	26" (66 cm)
DIM C	5/8" (1.6 cm)
DIM D	10 1/4" (26 cm)
DIM E	9 7/8" (25.1 cm)
DIM F	5/8" (1.6 cm)
DIM G	12 3/8" (31.43 cm)
DIM H	6" (14.8 cm)

Dimensions of the cabinet



- A. Minimum height of the cabinet: 12" (30.5 cm)
- B. Width of the opening of the cabinet : 30" (76.2 cm)
- C. Minimum suggested distance: 26" (66.04 cm) minimum from the top of an electric cooktop and 30" (76.2cm) minimum from the top of a gas cooktop.
- D. Maximum suggested distance: 30" (76.2 cm) maximum from the top of an electric cooktop and 36" (91.44cm) maximum from the top of a gas cooktop.
- E. Depth of the cabinet: 12" (30.5 cm)
- F. Minimum clearance between the work plan and the bottom of the cabinet 15" (38.1 cm)
- G. Height of lower cabinet of 36" (91.44 cm)

For installation from the cooking surface of an electric cooktop:

Assemble the hood so that the lower edge is no less than 26" (66.04 cm) above the cooking surface.

For installation from the cooking surface of a gas cooktop:

Assemble the hood so that the lower edge is no less than 30" (76.2 cm) above the cooking surface.

Venting requirements

- The discharge circuit must vent the air to the outside.
- Do not terminate the venting system in an attic or other enclosed space such as inside walls.
- Do not use a wall cap of 4" (10.2 cm) normally used for laundry equipment.
- Use metal venting equipment only. A rigid metal vent is recommended. Do not use a plastic or aluminum duct.
- The length of the discharge pipe and the number of elbows should be minimal in order to provide the best performance.

For an efficient and quiet operation:

- Do not use more than three (3) 90° elbows.
- Ensure that there is a straight section of pipe a minimum of 24" (61 cm) between the elbows if you must use more than one.
- Do not install two (2) consecutive elbows.
- The discharge circuit must include a check valve.
- At each juncture of the exhaust system, make sure to seal with clamps.
- Using caulking, seal around the exhaust hood to the outside (that passes through the wall or roof).
- The size of the pipe must be the same throughout.

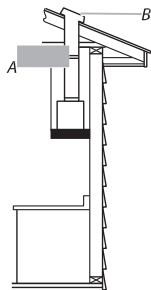
Air booster

Local building codes may require the use of an air exchange system / extra air supply when using a flow suction system that exceeds a specified value (cubic feet per minute). The rate specified in cubic feet per minute varies from one jurisdiction to another. Consult a heating, ventilation and air conditioning specialist for specific requirements in your local jurisdiction.

Evacuation (exhaust) methods

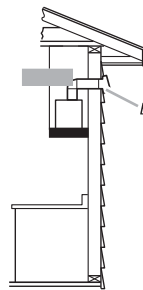
This hood has been configured to evacuate to the outside through the roof or through the wall. The discharge system required for installation is not provided. A discharge circuit with circular duct 6" (15.2 cm) is recommended.

Evacuation through the roof



- A. Duct of 6" (15.2 cm) in diameter to discharge through the roof
- B. Discharge exit through roof

Evacuation through the wall



- A. Duct of 6" (15.2 cm) in diameter to discharge through the wall
- B. Discharge exit through wall

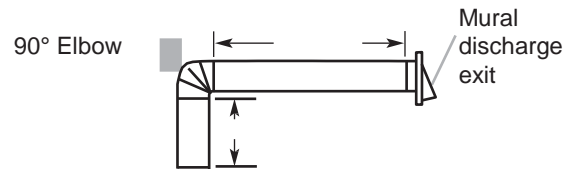
Calculating the effective length of the exhaust system

For setting up the exhaust system, we recommend a pipe of 6" (15.2 cm) in diameter with a maximum length of 35 feet (10.7 m). For optimum performance, use no more than three 90° elbows.

To calculate the length of the exhaust system required, add the equivalent length (feet/meters) of all the components used in the circuit.


Component	6" (15.2 cm)
45° Elbow	2.5 ft (0.8 m)
90° Elbow	5.0 ft (1.5 m)


Example of an exhaust system - 6" (15.2 cm) pipe



Maximum length	= 35 ft (10.7 m)
1 - 90° Elbow	= 5 ft (1.5 m)
1 - Discharge exit	= 5 ft (1.5 m)
1 - Pipe (straight)	= 9 ft (2.75 m)
Total length	= 19 ft (5.8 m)

Electrical specifications

 **WARNING**

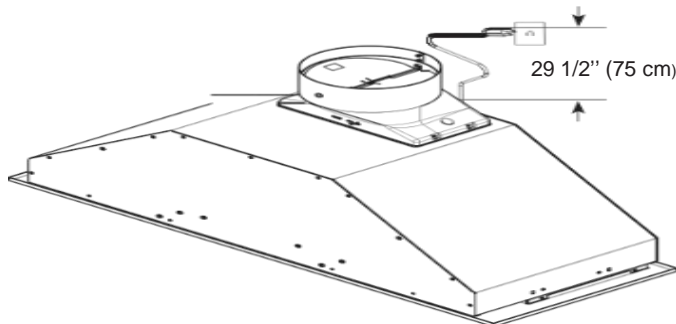


**Plug into a 3-prong grounded outlet.
Do not remove the ground connecting.
Do not use an adapter.
Do not use an extension cord.
Failure to follow these instructions can result in death, a fire or electric shock.**

IMPORTANT: The hood must be properly grounded in accordance with local codes and ordinances or, in the absence of such codes, with the Canadian Electrical Code, CSA C22.1 No. 0-M91 (latest edition).

If codes permit and if using a separate ground conductor, it is recommended that a qualified electrician checks the quality of the connection to the ground.

- A circuit of 120 volt, 60 Hz, AC only, 15 or 20 amps, protected by a fuse, is required. We also recommend using a fuse or time delay circuit breaker. It is recommended to connect the hood to a separate circuit for this unit.
- This hood is equipped with a three-prong ground connecting power cord.
- To reduce the risk of electrical shock, you must plug the cord into a corresponding configuration of electrical current, a 3-prong grounded outlet that is installed according to local codes and regulations. If an outlet is not available, the customer has the responsibility and obligation to have it installed by a qualified electrician.
- The 3-prong, grounded outlet must be installed in the cabinet situated above the hood, at a maximum distance of 29 1/2" (75 cm) from the point that the plug leaves the hood. The 3-prong, grounded outlet must be accessible once the hood is installed. See illustration below.



INSTRUCTIONS FOR GROUNDING

For a hood that is connected by a cord: This hood must be grounded. If a short circuit occurs, the ground connection reduces the risk of electric shock, allowing the current to escape directly to the ground. The hood is equipped with a cord having a connecting line to the ground with a connecting plug to the ground. The plug must be plugged into an outlet that is properly installed and grounded.

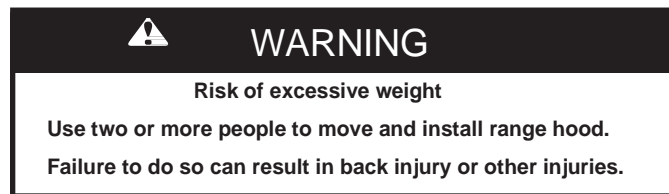
WARNING: Improper grounding may cause electric shock. Consult a qualified electrician if the grounding instructions are not completely understood or if you have doubts concerning the quality of the grounding installation of the outlet and the hood. Do not use an extension cord. If the power cord is too short, have a qualified electrician install a properly grounded outlet near the hood.

SAVE THESE INSTRUCTIONS

Installation Instructions

Preparing the location

- It is recommended that the installation of the exhaust system is carried out before the hood.
- Before making cut-outs, make sure the separation distances for fittings in the cavities of the ceiling or wall are adequate.
- Before mounting the cabinet to the wall, it may be easier to cut the first opening in the cabinet.
- Disconnect the electrical power source.
- Determine the evacuation method to use: discharge through the wall or roof, or return air.
- Choose a flat surface for assembling the hood. Place the protective material on this surface.
- Using two or more people, lift the hood and place it on the covered surface.

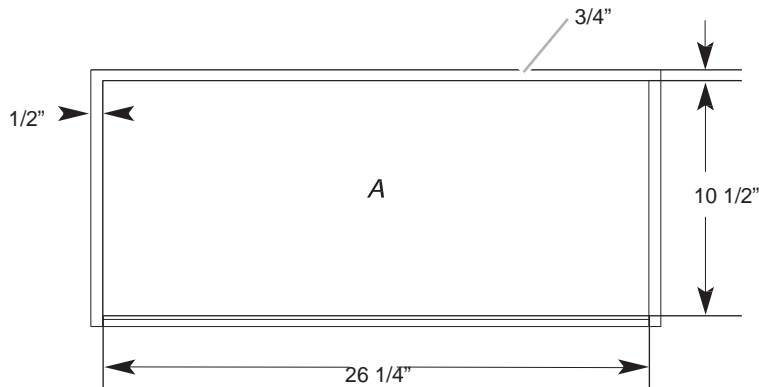


Cut-out opening of the cabinet for the hood

1. Use a jigsaw or reciprocator saw to cut a hole in the bottom of the cabinet, on the inside of the frame of the cabinet.

NOTE: For cabinets without frames, a rim at the front and the rear of $\frac{3}{4}$ " (1.9 cm) is required to form a frame in the bottom of the cabinet. A support rod of $\frac{3}{4}$ " (1.9 cm) thick (not supplied) may be required for certain types of cabinets.

Opening dimensions

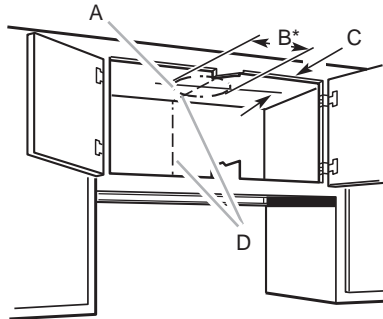


B. Opening at the bottom of the cabinet

2. Complete the preparation of the cabinet according to the instructions for the type of venting evacuation. Determine the location of the ventilation openings and cut out openings in cabinets, closets, walls and/or soffits.

Discharge toward the exterior, through the roof

Take appropriate measurements and draw the lines shown in the illustration. Use a jigsaw or reciprocator saw to cut an opening through the top of the cabinet and the roof for evacuation.

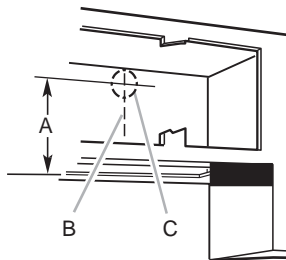


- A. Opening
- B. 6 ¼" (15.9 cm)*
- C. 7 ¾" (19.7 cm) between the central axis and the front of the cabinet
- D. Central axis

***NOTE:** For cabinets with a height of 12" (30.5 cm), a rectangular opening of 6 ¼" deep x 8" wide (14.6 cm x 20.3 cm) at the top of the cabinet is required to establish the necessary clearance for the transition fitting for the check valve.

Discharge toward the exterior, through the wall

1. Attach the transition fitting 6" (15.2 cm) duct at the top of the body of the hood using two 3.5 x 9.5 mm screws. Assemble the exhaust duct to be used on the 6" (15.2 cm) transition fitting duct.
2. Measure the distance between the bottom of the body of the hood and the horizontal centerline of the discharge opening (A).



- A. Mesure A
- B. Central axis
- C. Circular cut-out opening of 6 ¼" (15.9 cm)

3. Remove the vent pipe from the body of the hood. See dimension A on the back wall of the cabinet. Take measurements from the bottom of the cabinet.
4. Mark the perimeter of the opening to be cut out - see illustration. Use a jigsaw or reciprocator saw to cut a circular hole through the back of the cabinet and exterior wall for evacuation.

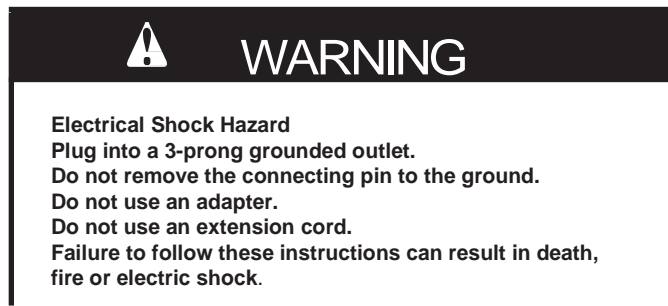
Connecting the exhaust system

Venting installations to the exterior

Connect the exhaust system to the discharge opening of the hood. Tighten the connection points with flanges.

Completing the installation

1. Re-install the grease filters. See "Range Hood Care".



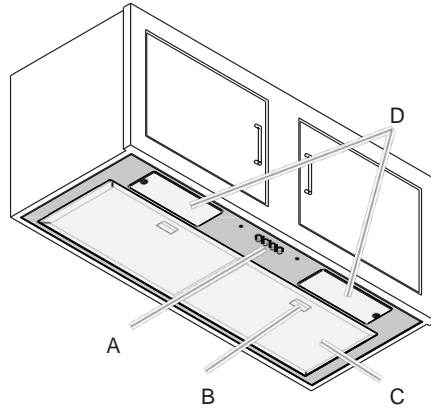
1. Plug the 3-pin power cord into the 3-prong grounded outlet located in the cabinet that is above the hood.
2. Check the fan hood and lamp. See "Using the hood" section. If the hood does not work, determine if a circuit breaker has tripped or a household fuse has blown. Disconnect the power source and inspect the wiring connections.

NOTE: To take full advantage of the new range hood, please read the section "Using the hood".

Use Instructions

The range hood is designed to remove smoke, cooking vapors and odors from the cooktop area. For best results, put the hood fan before starting cooking and let it run for several minutes after the completion of cooking to evacuate all traces of odor, steam or smoke.

The controls of the hood are located on the front and center of the body of the hood.



- A. Controls of the fan and lights
- B. Grease filters
- C. Handle for the grease filters
- D. Lamp housings (LED)

Controls for the cooktop hood



(Low),



(Mid),



(High),



(Light),



(Time setting).

Lamp operation

The button 'Light' controls all lamps. Press once to turn 'On' and a second time to turn 'Off'.

Using the fan

The BLOWER SPEED (fan speed) buttons activate the fan and control the speed of the fan and the noise level for quiet operation. The speed can be changed at any time during the usage by pressing the desired speed button of the fan. Press again on the button (the fan stops) to turn off the fan.

Maintenance Instructions

IMPORTANT: Frequently clean the hood and grease filters by following the instructions below. Reinstall the grease filters before operating the hood.

External surfaces

To avoid damaging the outer surface, do not use steel wool pads or scouring pads. Always wipe dry the surface to avoid leaving water marks.

Cleaning method

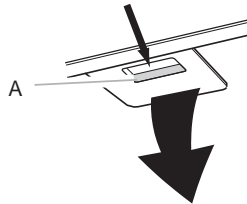
- Use liquid detergent or soap or all-purpose cleaner.
- Scrub with a soft, damp cloth or non-abrasive sponge then rinse with clear water and wipe dry.

Metal grease filter

The filters should be washed frequently. First, turn off the fan and lights. Let the LED lamp cool.

Place the metal filters in dishwasher or in a hot detergent solution. Allow the filters to dry completely before reinstalling.

1. Remove each filter by pulling the spring handle, then pulling the filter downward.



A. Spring handle

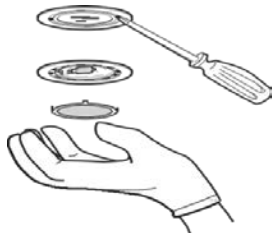
2. Wash metal filters as needed in dishwasher or hot detergent solution.
3. Reinstall the filter, ensuring that the spring handles are facing forward. Insert the metal grease filter in the upper groove.
4. Pull down the handle spring.
5. Push the metal filter upwards and release the handle to encase it.
6. Repeat steps 1 to 5 for the other filter.

Replacing an LED lamp

Interrupt the power supply to the hood; wait for the LED lamps to cool. To prevent damage or avoid reducing the life of the new bulb, do not touch the bulb with bare fingers. Replace the bulb by manipulating with a tissue paper or cotton gloves.

If the new lights do not work, ensure that each lamp is properly inserted into its socket before requesting the intervention of a service agent.

1. Disconnect the power supply.
2. Use a flat-blade screwdriver, remove the bulb with care.
3. Remove the lamp. Install a new LED lamp of 120 V / 40 W maximum with a G-9 type base.



4. Reinstall the light cover.
5. Reconnect the power.

AVG WARRANTY

RESIDENTIAL USE

WARRANTY INFORMATION ON PARTS AND LABOR

AVG fans (hood) are made with the perspective of offering exceptional value and aiming for your satisfaction for each of our products. Thus, all AVG fans are covered by a limited warranty of one (1) year, valid on parts and labor.

GENERAL WARRANTY ON PARTS AND LABOR

For one (1) year, AVG guarantees* to the buyer the fan and all its parts against defects in workmanship and material, provided a normal and proper use of the product and proper maintenance, as described and in accordance with the instruction manual supplied with each unit AVG (* proof of purchase is required).

The responsibility of AVG under this warranty is limited to twelve (12) months from the date of reception of the product.

All parts covered by this warranty which, in the opinion of AVG, are defective and that, in the period covered by the warranty, are limited to repair or replacement, including labor costs, defective parts or assembly.

CLAIMS COVERED BY WARRANTY

All claims under warranty for defective workmanship or materials must be submitted directly to:

AGI SERVICE

2255 Dagenais Boulevard West
Laval, Québec H7L 6B1
Tel: 450.963.1303 or 1.888.651.2534
service@agintl.qc.ca

All claims must include the unit's model number, serial number of the unit, a proof of purchase, installation date and relevant information to support the alleged defect.

NO INDIRECT DAMAGE: AVG is not responsible for economic losses, profit or any direct or indirect damages including, without limitation, losses or damages caused or not by a faulty unit.

FAULTY USE: AVG assumes no liability for parts or labor defect in material or component damage caused by improper use or installation or poor maintenance or cleaning of the unit according to information the warranty supplied with the unit.

ALTERATION, NEGLIGENCE, ABUSE, MISUSE, IMPROPER INSTALLATION, ACCIDENT, INJURY DURING SHIFTING OR INSTALLATION, FIRE, FLOOD, ACTS OF GOD: AVG is not responsible for the repair or replacement of any part which, according to AVG, has undergone an alteration, neglect, abuse, misuse, accident, or damage during removal or installation, fire, flood or an act of God, following the date of manufacture.

INCORRECT OR POOR ELECTRICAL CONNECTION: AVG is not responsible for the replacement or repair of defective or damaged components whose defect is caused by a power problem, the use of an extension cord, low voltage or voltage drops in the power supply of the device.