

# BERTAZZONI PROFESSIONAL SERIES

30" BUILT-IN BOTTOM MOUNT LEFT SWING DOOR

REF30PIXL + PROHK30PI

## HIGHLIGHTS

### • FlexMode Refrigerator-Freezer

Switch bottom compartment between freezer and refrigerator with one touch.

### • Digital User Interface

Internal LED touch interface with intuitive controls for temperature management and all system functions.

### • Custom ice maker & water filtration

Integrated water filter connected to water line ensures regular production of ice cubes of customizable size.

### • Interior LED lighting

Extra-bright LED lighting on top and sides provide optimized interior illumination on all levels with minimal energy consumption.



## FEATURES

<b>Style</b>	bottom mount
<b>Finish</b>	stainless steel
<b>Handle styles</b>	Professional series
<b>Interface</b>	digital display inside
<b>Lighting</b>	6 LED lights recessed into refrigerator ceiling, 5 side wall flush mounted individual
<b>Refrigerator shelves</b>	2 full-width
<b>Refrigerator drawers</b>	2
<b>FlexMode drawers</b>	1 large drawer, 1 inner drawer + ice tray
<b>Door storage compartment</b>	3 full-width racks
<b>Ice maker</b>	automatic, up to 3lbs/24 hours
<b>U.S. DOE annual energy consumption</b>	575 kWh/yr
<b>Automatic settings</b>	Max Cool Fridge, Vacation, Beverage Cooler, SuperIce, IceSize, Sabbath Mode, Water Filter

## TECHNICAL SPECIFICATIONS

<b>Voltage , frequency</b>	115V, 60Hz
<b>Max Amp Usage, power rating</b>	4.8A, 552W
<b>DOE compliant</b>	yes
<b>Power connection</b>	back side, length of power cord 6.5ft
<b>Water connection</b>	back side, water supply tube (female attachment) 3/4"
<b>Certification</b>	ETL
<b>Warranty</b>	2 years parts and labor

## CAPACITY

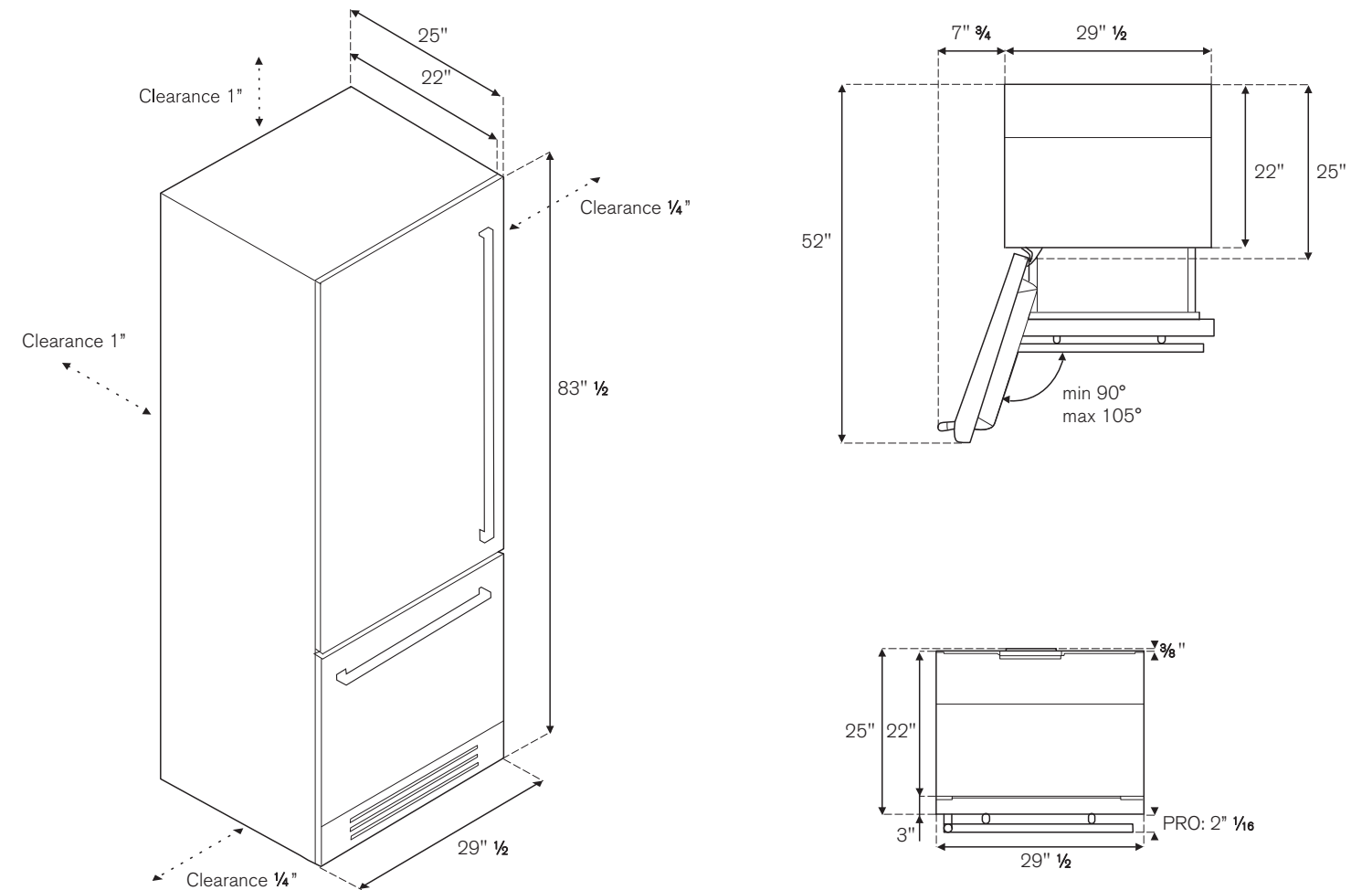
<b>Refrigerator capacity</b>	11 cu.ft
<b>FlexMode capacity</b>	2.9 cu.ft
<b>Total capacity</b>	13.9 cu.ft

# BERTAZZONI PROFESSIONAL SERIES

30" BUILT-IN BOTTOM MOUNT LEFT SWING DOOR

REF30PIXL + PROHK30PI

## INSTALLATION INSTRUCTIONS



**INSTALLATION:** There shall be a space not less than 1 inch from the top of your refrigerator, not less than 1/4 inch from both sides and 1 inch or more from the back of the refrigerator to the adjacent walls respectively. This requirements is good for open and close of the door and also for heat emission.

## DIMENSIONS

<b>Depth with handles</b>	27 1/16"
<b>Depth without handles</b>	25"
<b>Depth corpus</b>	22"
<b>Height</b>	83 1/2"
<b>Width</b>	29 1/2"

Refrigerator handles are provided separately with dedicated commercial code and packaging.

**Disclaimer:** while every effort has been made to insure the accuracy of the information contained in this brochure, Fratelli Bertazzoni reserves the right to change any part of the information at any time without notice.

Fratelli Bertazzoni, Bertazzoni and the winged wheel brand icon are registered trademarks of Bertazzoni Spa.

WWW.BERTAZZONI.COM



TO COOK BEAUTIFULLY  
WWW.BERTAZZONI.COM