

# WM 98400 SX



- Quick Wash 35 ●
  - Super Quick 20 ●
  - Tub Sanitize ●
  - Bedding ●
  - Wool ●
  - Hand Wash ●
  - Delicates ●
  - Rinse ●
- Normal
  - Heavy Duty
  - Whites
  - Pet Hair Cleansing
  - Perm Press
  - Jogging Wear
  - Jeans
  - Spin & Drain



## GENERAL PROPERTIES

|                               |        |  |
|-------------------------------|--------|--|
| Capacity                      | cu ft. | 2,5  |
| Washing load capacity         | kg     | 10,1                                       |
|                               | lb     | 22,3                                       |
| Style                         |        | Front-loading                              |
| Variable spin speed           |        | Extra high (1400 rpm), high, med, low, off |
| Automatic temperature control |        | Extra hot, hot, warm, cold, tap cold       |
| Control                       |        | Digital display w/ dial knob               |
| Delay time                    |        | 0-24h                                      |
| Remaining time indicator      |        | ✓  |
| Silence level (washing)       | dBa    | 52   |
| Silence level (spinning)      | dBa    | 76   |
| Drum material                 |        | Stainless steel                            |
| Dispenser                     |        | "Detergent (liquid/ powder)                |
|                               |        | Bleach                                     |
|                               |        | Fabric softener"                           |

## CYCLES

|                         |  |    |
|-------------------------|--|----|
| Number of wash cycles   |  | 16 |
| Normal / Regular cotton |  | ✓  |
| Permanent press         |  | ✓  |
| Hand wash               |  | ✓  |
| Quick wash 35'          |  | ✓  |
| Delicates               |  | -  |
| Wool                    |  | ✓  |
| Drain & spin            |  | ✓  |
| Bedding                 |  | ✓  |
| Jogging wear            |  | ✓  |
| Jeans                   |  | ✓  |
| Pet hair cleansing      |  | ✓  |
| Tub sanitize            |  | ✓  |
| Super quick 20'         |  | ✓  |
| Baby sanitize           |  | -  |
| Rinse                   |  | ✓  |

## CONVENIENCE FEATURES

|   |   |
|---|---|
| Heavy Soil                                  | ✓ |
| Super Wash                                  | - |
| Soak  | ✓ |
| Extra Rinse                                 | ✓ |
| Anti Wrinkle                                | - |
| Child lock                                  | ✓ |
| Automatic water adjustment system           | ✓ |
| Automatic detergent dispensing system       | ✓ |
| Unbalance detection system                  | ✓ |
| Euro wash system with internal water heater | ✓ |
| Optima™ Inverter Technology                 | ✓ |
| Program follower                            | ✓ |
| Adjustable leveling legs                    | 4 |

## MATERIALS AND FINISHES

|                     |        |
|---------------------|--------|
| Cabinet             | White  |
| Door rim            | Chrome |
| Cycle selector knob | Chrome |

## DIMENSIONS

|                            |     |                          |
|----------------------------|-----|--------------------------|
| Product dimensions (HxWxD) | in  | 33 1/8 x 23 5/8 x 24 5/8 |
|                            | cm  | 84 x 60 x 62,5           |
| Packed dimensions (HxWxD)  | in  | 35 x 25 5/8 x 26         |
|                            | cm  | 89 x 66,5 x 66           |
| Product weight             | kg  | 84                       |
|                            | lbs | 185                      |
| Packed weight              | kg  | 87                       |
|                            | lbs | 192                      |

## TECHNICAL FEATURES

|                     |                 |
|---------------------|-----------------|
| Voltage / Frequency | 208-240V / 60Hz |
| Rated current amps  | 15              |

## STANDARDS

|                              |    |
|------------------------------|----|
| Energy Star® qualified       | ✓  |
| Energy consumption, kWh/year | 86 |
| UL listed                    | ✓  |
| RoHS* compliant              | ✓  |

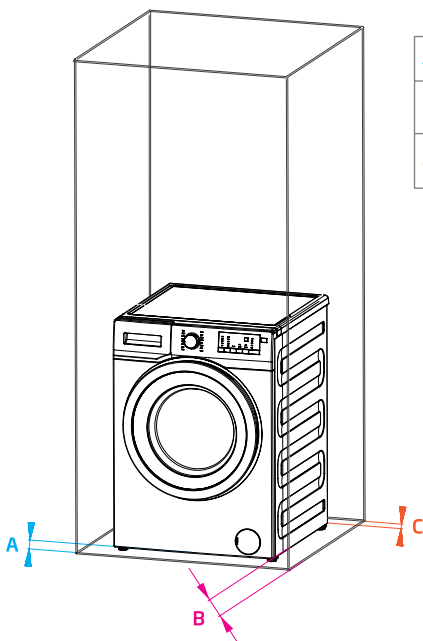
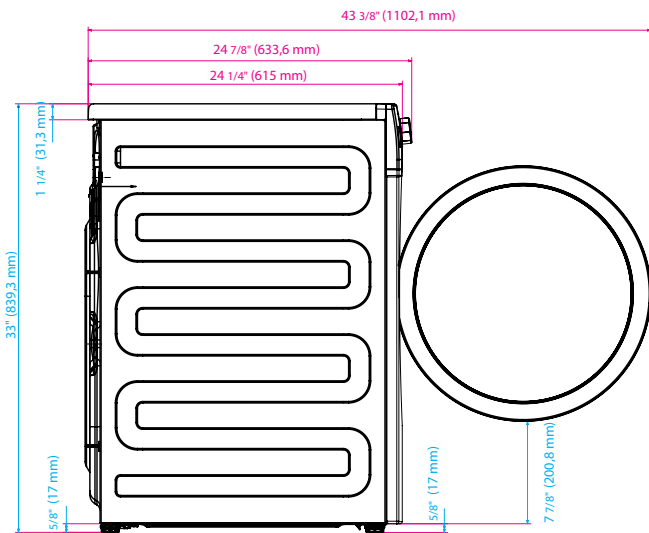
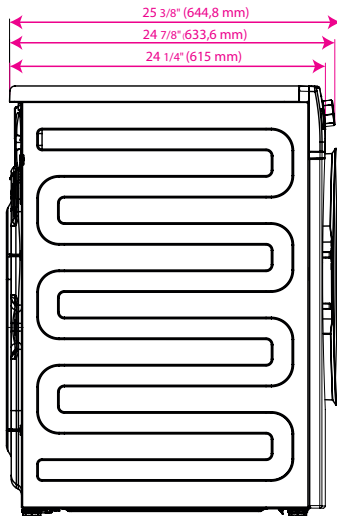
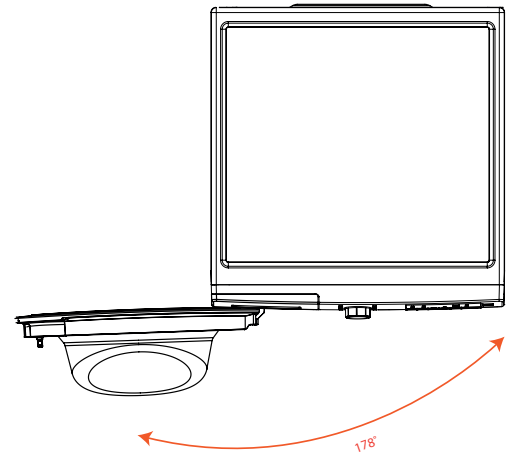
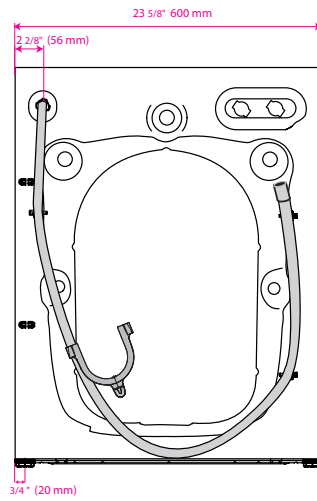
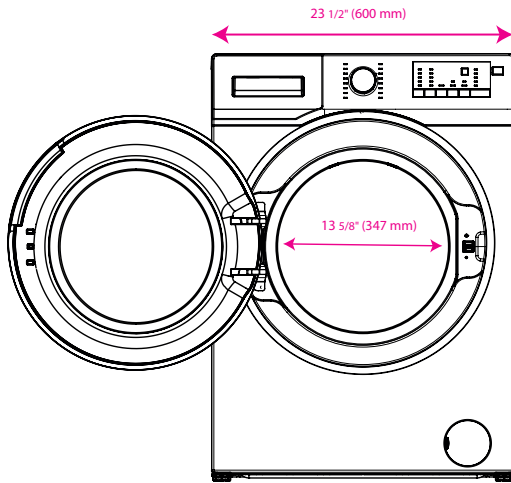
## KEY FEATURES & BENEFITS

- Hyper efficient technology exceeding Energy Star® guidelines by using %25 less energy\*
- Fits up to 16 bath towels, 2,5 cu-ft volume in compact foot print
- Optima™ Inverter motor technology provides quiet, efficient and durable performance
- Pet Hair cleansing cycle
- Quick Wash 35' for lightly soiled items
- Woolmark Apparel Care certified wool cycle
- Internal heater provides extra sanitation for garments
- Tub Sanitize cycle keeps the washer fresh for cleaner clothes



\*Comparing with US Federal Standard (IMEF) value in Energy Star® Certification List

# WM 98400 SX



|                     |                 |
|---------------------|-----------------|
| <b>A</b> Top        | 1/2 in. (13 mm) |
| <b>B</b> Both sides | 1/2 in. (13 mm) |
| <b>C</b> Rear       | 1/2 in. (13 mm) |

|                        |         |        |
|------------------------|---------|--------|
| <b>A</b> Top           | 1"      | 26 mm  |
| <b>B</b> Both sides    | 1/2"    | 13 mm  |
| <b>C</b> Counter depth | 24 3/8" | 620 mm |

