

# BERTAZZONI MASTER SERIES

## 30 CONVECTION SELF-CLEAN DOUBLE OVEN

MASFD30XV

### HIGHLIGHTS

- Bertazzoni ovens use stainless steel metal knobs to select cooking modes and temperature, while the intuitive interface lets users program time and other functions.
- Two large-blade fans positioned on the diagonal axis and subsidiary air vents at the top and bottom of the oven cavity provide balanced airflow and even heat distribution.
- All Bertazzoni ovens install flush with the cabinet doors and integrate seamlessly with specialty ovens and warming drawers in both vertical and horizontal combinations.



### FEATURES

Oven type	electric convection self-clean
Oven broiler type	electric
Oven controls	LED touch interface
Inner oven door	quadruple glass
Door Hinge	soft motion
Oven handle	solid metal
Oven door finishing	stainless steel
Convection System	dual diagonal
Oven levels	7
Wire shelves	2 heavy gauge
Tray	1 baking tray
Grill trivet for Trays	yes

### TECHNICAL SPECIFICATIONS

Voltage, frequency	120/208 Vac - 120/240 Vac, 60 Hz
Oven volume	4.1ft <sup>3</sup>
Max Amp usage, power rating	50 A - 11000 W
Certification	CSA
Warranty	2 years parts and labor

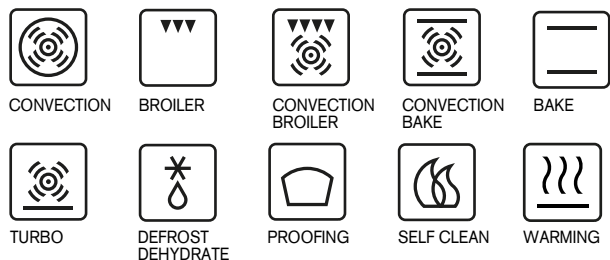
### ACCESSORIES

30 Telescopic Slide Shelf	item TG
---------------------------	---------



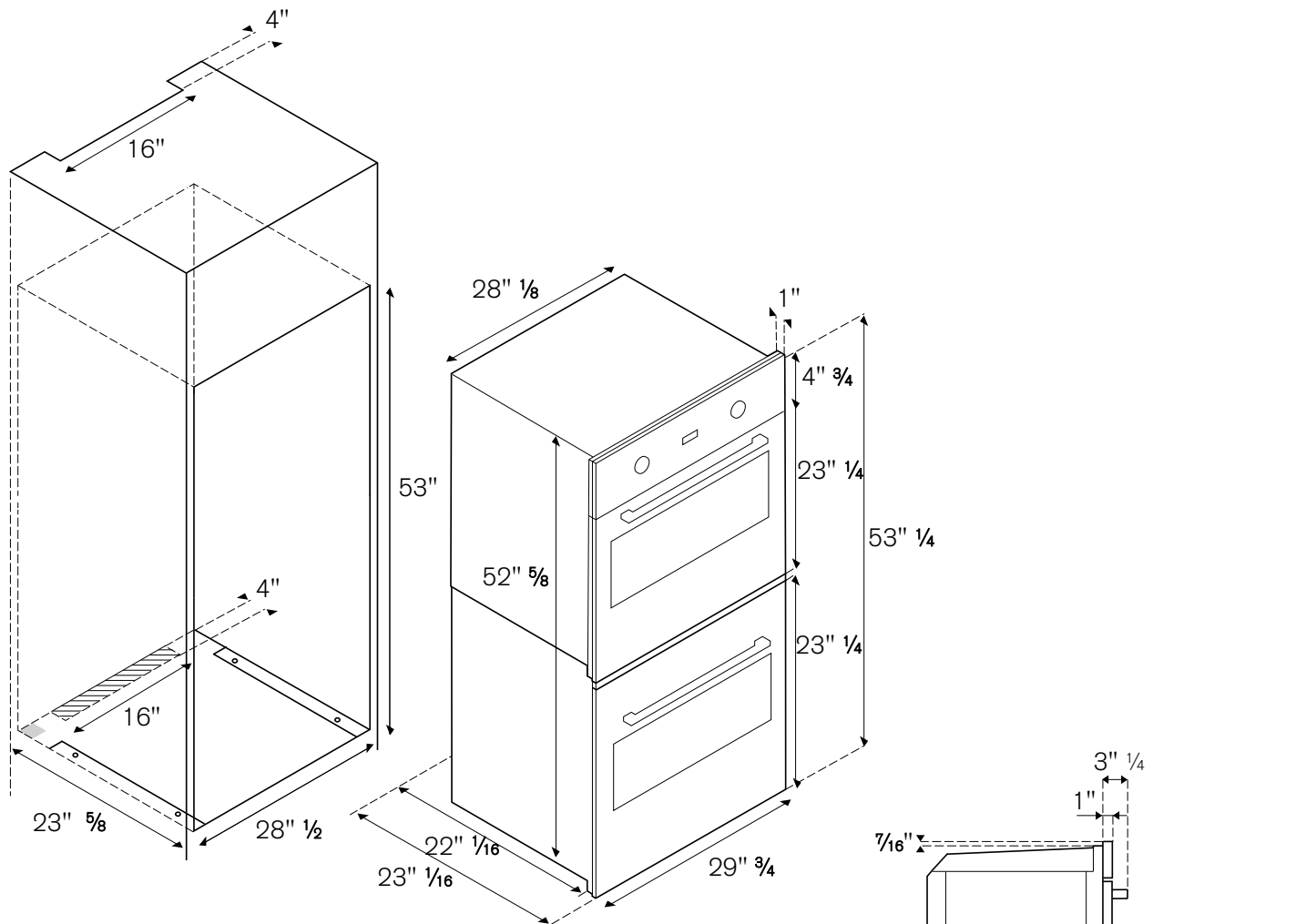
TO COOK BEAUTIFULLY  
WWW.BERTAZZONI.COM



### FUNCTIONS



# INSTALLATION INSTRUCTIONS

## MASFD30XV



-  Air intake opening clearance
-  Cut out for power cord

The minimum gap between the kitchen cabinet upper or lower panel and the appliance is 1/8. This dimension must be added to the height listed in the drawings

For any combinations of built-in models, please see related installation drawings

Bertazzoni recommends to operate the appliance after it has been installed in a cabinet. The kitchen cabinets shall be made of materials capable of withstanding temperatures at least 117°F (65°C) above room temperature in order to avoid possible damage to the cabinets during oven usage. The appliance must be installed into cabinetry and be supported from underneath. The air intake opening at the bottom of the door must be left unobstructed. For a flush mount installation the surrounding cabinets doors should have the same thickness as the oven control panel.

**Disclaimer:** while every effort has been made to insure the accuracy of the information contained in this brochure, Fratelli Bertazzoni reserves the right to change any part of the information at any time without notice.

Fratelli Bertazzoni, Bertazzoni and the winged wheel brand icon are registered trademarks of Bertazzoni Spa.