

**gorenje**  
*Life Simplified*

---



**D85656NA**  
**8kg Front Load Condensation Dryer**

2017

# D85656NA

## 8kg Front Load Condensation Dryer

**gorenje**  
*Life Simplified*



### DRYER FEATURES

- 24" (60cm) Heat Pump Condensation
- dryer, Silver
- 8KG / 120L Drum Volume
- 208/230V, 60hZ, 15 AMP
- SensoCare drying technology affords drying conditions tailored to your laundry
- High drying efficiency with heat pump technology
- IonTech system ensures clothing free of allergens, smoke and pollen residue or electrostatic charge by using negatively charged ions in the dryer air
- Twin Air provides bi-directional air flow for evenly dried, less creased loads
- 15 Programmes
- Additional functions include Extra Dry, Lower temperature, Delay start
- Drum illumination with LED light
- Auto cool-down to reduce creasing and facilitate ironing
- SoftSound audio signal indicator
- Drying phase indicator
- Signal for full water container
- Humidity sensor
- Push button functions with LED indicators
- Stainless steel inner/outer drum
- Option of direct discharge of condensed water with AutoDrain
- Automatic switch off when door is open
- Child protection
- Large door opening, with wide angle
- 65dB Noise level
- Stacking cups included for stacking

### ELECTRICAL REQUIREMENTS

- 208/230 volt, 60Hz, 15 amp

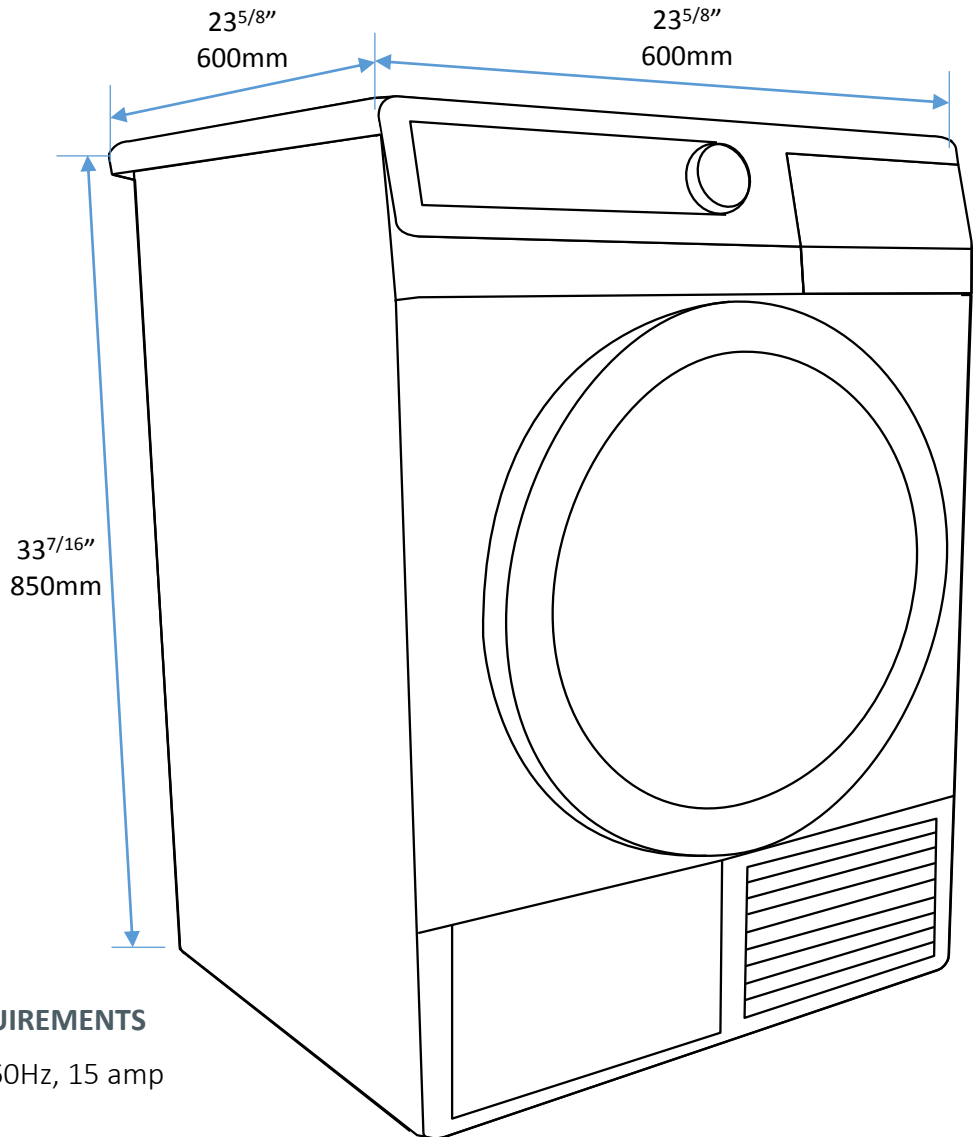
### DRYER DIMENSIONS

- D: 23<sup>5/8</sup>" x W: 23<sup>5/8</sup>" x H: 33<sup>7/16</sup>"
- D: 600mm x W: 600mm x H: 850mm

# SPECIFICATIONS

D85656NA

**gorenje**  
*Life Simplified*



## ELECTRICAL REQUIREMENTS

- 208/230 volt, 60Hz, 15 amp

## WASHER DIMENSIONS

- D: 23<sup>5</sup>/<sub>8</sub>" x W: 23<sup>5</sup>/<sub>8</sub>" x H: 33<sup>7</sup>/<sub>16</sub>"
- D: 600mm x W: 600mm x H: 850mm

# gorenje

## Life Simplified

GORENJE Appliances are designed and manufactured to the highest standards. Each appliance is covered by a comprehensive 2-year parts and labour warranty.

Refer to product warranty policy for complete terms and conditions.

### FOR PARTS AND SERVICE

Euro-Parts & Service

39822 Belgrave Road, Belgrave, ON. N0G 1E0  
1 800 678 8352 (Canada) • 1 800 561 4614 (U.S.)

[www.euro-parts.ca](http://www.euro-parts.ca) • [parts@euro-parts.ca](mailto:parts@euro-parts.ca) • [service@euro-parts.ca](mailto:service@euro-parts.ca)

GORENJE appliances are imported and distributed in North America by Euro-Line Appliances Inc. For more information, please visit one of our showrooms or [www.euro-line-appliances.com](http://www.euro-line-appliances.com) / [www.elawest.com](http://www.elawest.com)

### EURO-LINE APPLIANCES INC.

871 Cranberry Court  
Oakville, ON L6L 6J7 Canada  
905 829 3980  
1 800 421 6332  
[marketing@euro-line-appliances.com](mailto:marketing@euro-line-appliances.com)

### EURO-LINE APPLIANCES WEST INC.

2912 West 4th Avenue  
Vancouver, BC V6K 1R2 Canada  
604 235 3980  
1 855 ELA WEST (352 9378)  
[info@elawest.com](mailto:info@elawest.com)

